



TME-M740BT

BLUETOOTH INTEGRATED VGA MONITOR



- **OWNER'S MANUAL**
Please read before using this equipment.
- **MODE D'EMPLOI**
Veuillez lire avant d'utiliser cet appareil.
- **MANUAL DE OPERACIÓN**
Léalo antes de utilizar este equipo.

EN

FR

ES

ALPINE ELECTRONICS MARKETING, INC.
1-1-8 Nishi Gotanda,
Shinagawa-ku,
Tokyo 141-0031, Japan
Phone 03-5496-8231

ALPINE ELECTRONICS OF AMERICA, INC.
19145 Gramercy Place, Torrance,
California 90501, U.S.A.
Phone 1-800-ALPINE-1 (1-800-257-4631)

ALPINE ELECTRONICS OF CANADA, INC.
777 Supertest Road, Toronto,
Ontario M3J 2M9, Canada
Phone 1-800-ALPINE-1 (1-800-257-4631)

ALPINE ELECTRONICS OF AUSTRALIA PTY. LTD.
161-165 Princes Highway, Hallam
Victoria 3803, Australia
Phone 03-8787-1200

ALPINE ELECTRONICS GmbH
Frankfurter Ring 117,
80807 München, Germany
Phone 089-32 42 640

ALPINE ELECTRONICS OF U.K. LTD.
Alpine House
Fletchamstead Highway, Coventry CV4 9TW, U.K.
Phone 0870-33 33 763

ALPINE ELECTRONICS FRANCE S.A.R.L.
(RCS PONTOISE B 338 101 280)
98, Rue de la Belle Etoile, Z.I. Paris Nord II,
B.P. 50016, 95945 Roissy Charles de Gaulle
Cedex, France
Phone 01-48638989

ALPINE ITALIA S.p.A.
Viale C. Colombo 8, 20090 Trezzano
Sul Naviglio (MI), Italy
Phone 02-484781

ALPINE ELECTRONICS DE ESPAÑA, S.A.
Portal de Gamarra 36, Pabellón, 32
01013 Vitoria (Alava)-APDO 133, Spain
Phone 945-283588

ALPINE ELECTRONICS (BENELUX) GmbH
Leuvensesteenweg 510-B6,
1930 Zaventem, Belgium
Phone 02-725-13 15

Contents

Operating Instructions

WARNING

WARNING	2
CAUTION	2
PRECAUTIONS	2

Getting Started

Location of Controls	3
Turning Power On or Off	4
Adjusting the Volume	4
Switching the Source	4

Auxiliary Device Operation

DVD Video Player Operation (Optional)	5
DVD Menu Operations	5
TV Operation (Optional)	6

Hands-Free Phone (Optional)

About Hands-Free Phone	6
Connect a Mobile Phone	7
Receiving a Call	7
Hanging up	7
Placing a Call	7
Placing a Call by Inputting a Telephone Number (DIAL INPUT)	8
Placing a Call by the Telephone Book (PHONE BOOK)	8
Placing a Call by History (RECEIVED CALLS/DIALED CALLS/MISSED CALLS)	8
Placing a Call by QUICK CALLS (QUICK CALLS)	8
Placing a Call by SPEED DIAL (SPEED DIAL)	9
Registering a Telephone Book	9

Bluetooth Audio Function (Optional)

Bluetooth Audio Operation	9
Setting Bluetooth Audio Output Interruption (INT BT AUDIO)	9

Setup

Display Setup Operation	10
GENERAL Setup	11
SYSTEM Setup	12
Bluetooth Setup	12
REAR SELECT Setup	13

Information

In Case of Difficulty	14
Specifications	14

Installation and Connections

Warning	15
Caution	15
Precautions	15
Installation	16
Attaching the monitor and stand	16
Mounting an external Microphone for Hands-Free Calling	17
Connections	18
System Example	19

LIMITED WARRANTY

Operating Instructions

WARNING



WARNING

This symbol means important instructions. Failure to heed them can result in serious injury or death.

INSTALL THE PRODUCT CORRECTLY SO THAT THE DRIVER CANNOT WATCH TV/VIDEO UNLESS THE VEHICLE IS STOPPED AND THE EMERGENCY BRAKE IS APPLIED.

It is dangerous (and illegal in many states) for the driver to watch TV/Video while driving a vehicle. Installing this product incorrectly enables the driver to watch TV/Video while driving. This may cause a distraction, preventing the driver from looking ahead, thus causing an accident. The driver or other people could be severely injured.

DO NOT WATCH VIDEO WHILE DRIVING.

Watching the video may distract the driver from looking ahead of the vehicle and cause an accident.

DO NOT OPERATE ANY FUNCTION THAT TAKES YOUR ATTENTION AWAY FROM SAFELY DRIVING YOUR VEHICLE.

Any function that requires your prolonged attention should only be performed after coming to a complete stop. Always stop the vehicle in a safe location before performing these functions. Failure to do so may result in an accident.

KEEP THE VOLUME AT A LEVEL WHERE YOU CAN STILL HEAR OUTSIDE NOISES WHILE DRIVING.

Excessive volume levels that obscure sounds such as emergency vehicle sirens or road warning signals (train crossings, etc.) can be dangerous and may result in an accident. LISTENING AT LOUD VOLUME LEVELS IN A CAR MAY ALSO CAUSE HEARING DAMAGE.

MINIMIZE DISPLAY VIEWING WHILE DRIVING.

Viewing the display may distract the driver from looking ahead of the vehicle and cause an accident.

DO NOT DISASSEMBLE OR ALTER.

Doing so may result in an accident, fire or electric shock.

USE ONLY IN CARS WITH A 12 VOLT NEGATIVE GROUND.

(Check with your dealer if you are not sure.) Failure to do so may result in fire, etc.

KEEP SMALL OBJECTS SUCH AS BATTERIES OUT OF THE REACH OF CHILDREN.

Swallowing them may result in serious injury. If swallowed, consult a physician immediately.

USE THE CORRECT AMPERE RATING WHEN REPLACING FUSES.

Failure to do so may result in fire or electric shock.

USE THIS PRODUCT FOR MOBILE 12V APPLICATIONS.

Use for other than its designed application may result in fire, electric shock or other injury.

DO NOT INSTALL THE MONITOR NEAR THE PASSENGER SEAT AIR BAG.

If the unit is not installed correctly the air bag may not function correctly and when triggered the air bag may cause the monitor to spring upwards causing an accident and injuries.



CAUTION

This symbol means important instructions. Failure to heed them can result in injury or material property damage.

HALT USE IMMEDIATELY IF A PROBLEM APPEARS.

Failure to do so may cause personal injury or damage to the product. Return it to your authorized Alpine dealer or the nearest Alpine Service Centre for repairing.



PRECAUTIONS

Product Cleaning

Use a soft dry cloth for periodic cleaning of the product. For more severe stains, please dampen the cloth with water only. Anything else has the chance of dissolving the paint or damaging the plastic.

Temperature

Be sure the temperature inside the vehicle is between +45°C (+113°F) and 0°C (+32°F) before turning your unit on.

Maintenance

If you have problems, do not attempt to repair the unit yourself. Return it to your Alpine dealer or the nearest Alpine Service Station for servicing.

Installation Location

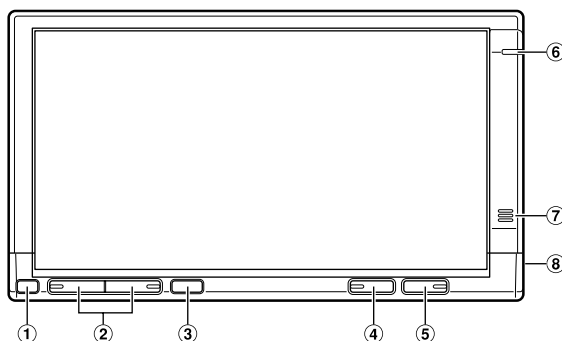
Make sure the TME-M740BT will not be installed in a location subjected to:

- Direct sun and heat
- High humidity and water
- Excessive dust
- Excessive vibrations

- After turning the system off, a slight ghost of the image will remain temporarily. This is an effect peculiar to LCD technology and is normal.
- In cold temperature conditions, the screen may lose contrast temporarily. After a short warm-up period, it will return to normal.

Operation of some of the functions of this unit is very complex. Because of this, it was deemed necessary to place these functions into a special screen. This will restrict operation of these functions to times when the vehicle is parked. This ensures the focus of the driver's attention will be on the road and not on the TME-M740BT. This has been done for the safety of the driver and passengers. The setup operation cannot be made if the car is moving. The car must be parked and the parking brake must be engaged for the procedure described in the Owner's Manual to be valid. The warning "Operation is not allowed while driving," will be displayed if any attempts are made to perform these operations while driving.

Getting Started



Location of Controls

- ① **DIMMER Sensor**
Senses the brightness of the car interior
- ② **Volume button**
Adjust the volume level by pressing the **▲** or **▼** button.
- ③ **Remote Sensor**
Point the optional remote control transmitter toward the remote sensor within a range of 2 m.
- ④ **SOURCE button**
Each time you press the SOURCE button, SOURCE is switched.
If the button is pressed and held for at least 3 seconds, the Vehiclehub Pro VPA-B222's (optional) power is turned on/off.
- ⑤ **⏻ (POWER) button**
Turns the power on and off.
If the button is pressed and held for at least 3 seconds, the Vehiclehub Pro VPA-B222's (sold separately) V.SEL is turned on/off.
- ⑥ **Bluetooth Indicator**
Lights up when "Setting Bluetooth Connection (Bluetooth)" (page 12) is set to ON. Blinks when a hands-free phone is used to receive, place a call or while calling.
- ⑦ **Mobile Phone Microphone**
If the received signal is not strong, use the supplied external microphone for hands-free phone operation.
- ⑧ **Mobile Phone external Microphone jack**
If an external microphone is connected, the internal microphone cannot be used.

Turning Power On or Off

1 Press **POWER** to turn on the unit.

2 Press **POWER** to turn off the unit.

- Some operation of the unit cannot be performed while the vehicle is in motion. In this case, be sure to first stop your vehicle and apply the parking brake, then perform the operation.
- In low ambient temperature conditions, the display may be dark for a short period of time immediately after the power is turned on. Once the LCD has warmed up, the display returns to normal.
- If the voltage of the vehicle's battery power is low, the screen may blink. This is normal and not a malfunction.

Adjusting the Volume

Adjust the volume level by pressing **▲** or **▼**.

- If "Change Sound Output (VOLUME CONTROL)" (page 12) is set to SYSTEM, you can adjust the optional Vehiclehub Pro VPA-B222 volume by controlling this unit volume.

Switching the Source

1 Press **SOURCE**.

The source selection screen is displayed.

2 Touch the desired source.

The main source screen is displayed.

Display example for source selection screen



① **Nav. (Navigation)**

The Navigation screen is displayed. If an optional Alpine Navigation System is connected to the TME-M740BT, the Navigation screen can be displayed on this unit.



- For navigation operation, refer to the Owner's Manual of the navigation system.
- If the NAV. is not displayed on the source selection screen, set NAV. MODE to NAV. by following "Setting the Navigation Mode (NAV. MODE)" (page 12).

② **MOBILE PHONE**

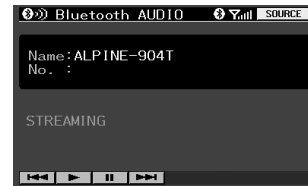
The MOBILE PHONE screen is displayed.



- For details, refer to "Hands-Free Phone (Optional)" (page 6).

③ **Bluetooth AUDIO**

The Bluetooth AUDIO mode screen is displayed.



- For details, refer to "Bluetooth Audio Operation" (page 9).

④ **AUX**

The external input screen is displayed.



Screen Example:EXT. DVD

- The name which is given as the source name in "External Input Name Setting (AUX NAME)" on page 12 is displayed.
- For details, refer to "DVD Video Player Operation (Optional)" (page 5).
- For details, refer to "TV Operation (Optional)" (page 6).

⑤ **SETUP**

The SETUP selection screen is displayed.



- For details, refer to "Setup" (page 10).

Auxiliary Device Operation

If an ALPINE device is connected to AUX, the device is controllable from the unit. The following explains how to operate representative devices.

DVD Video Player Operation (Optional)

Operable when optional DVD Video Player (DVA-5210/DVE-5207/DHA-S680) is connected.

When EXT. DVD is selected in “External Input Name Setting (AUX NAME)” (page 12), the source is displayed in SOURCE selection screen.

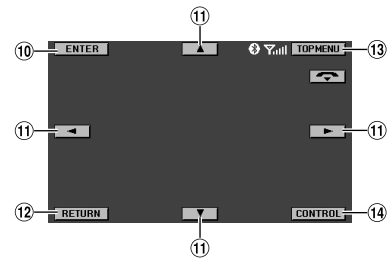
Touch the display panel to display the operation screen.

- The operation screen changes to the visual screen in the DVD mode for 5 seconds after an operation has been performed. Touch the display panel to display the operation screen again.



- ① Finds the beginning of track/chapter. Touching and holding plays fast- reverse.
- ② Pauses and plays back.
- ③ Finds the beginning of a track/chapter. Touching and holding plays fast- forward.
- ④ PRE- STOP/STOP
- ⑤ **DISC**
Switch DISC (DHA-S680 only)
- ⑥ **DISC**
Switch DISC (DHA-S680 only)
- ⑦ Displays the DVD menu operation screen.
- ⑧ **SOURCE**
Displays the source selection screen.
- ⑨ Hangs up the mobile phone connection. The indication is displayed only during a call.

DVD Menu Operations



- ⑩ **ENTER**
Enters the selected item.
 - ⑪ Moves an item displayed on the screen.
 - ⑫ **RETURN**
Returns to the previous screen.
 - ⑬ **TOP MENU**
The DVD top menu screen is displayed.
 - ⑭ **CONTROL**
Displays the main operation screen.
- Operation may differ depending on the connected device. Refer to owner's manual of the connected device.

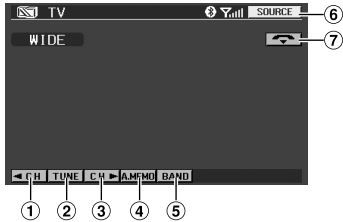
TV Operation (Optional)

Operable when optional TUE-T151 is connected.

When TV is selected in "External Input Name Setting (AUX NAME)" (page 12), the source is displayed in SOURCE selection screen.

Touch the display panel to display the operation screen.

- The operation screen changes to the visual screen in the TV mode for 5 seconds after an operation has been performed. Touch the display panel to display the operation screen again.



- CH**
Decreases channels one by one.
P. DN
Decreases the preset numbers one by one.
 - TUNE**
Changes the tuning way (manual mode, auto seek mode and preset number).
 - CH** ►
Increases channels one by one.
P. UP ►
Increases the preset numbers one by one.
 - A. MEMO**
Memorizes automatically.
 - BAND**
Changes the band.
 - SOURCE**
Displays the source selection screen.
 - Hangs up the mobile phone connection. The indication is displayed only during a call.
- Operation may differ depending on the connected device. Refer to owner's manual of the connected device.

Hands-Free Phone (Optional)

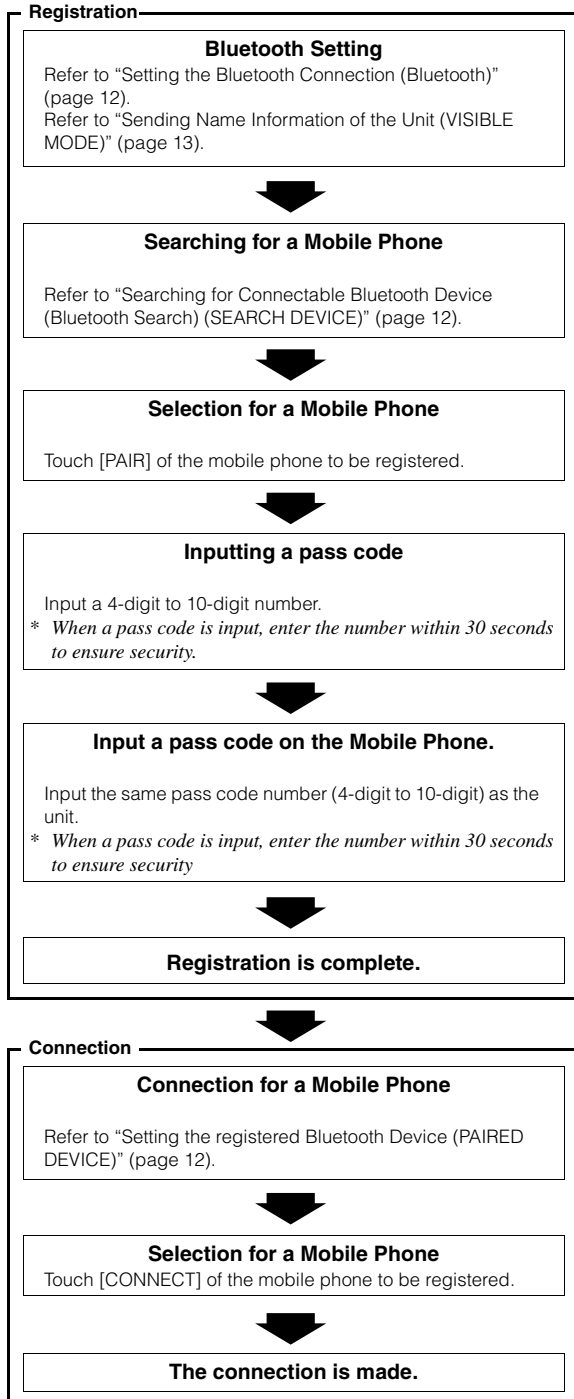
About Hands-Free Phone

The unit is compatible with Bluetooth® international standard wireless communication technology. You can place a hands-free call* using a Bluetooth compatible mobile phone.

- To make a hands-free call, your mobile phone needs to conform to HPF (Hands-Free Profile).*
- Avoid performing a hands-free call in a city where traffic is congested, or in the narrow street.
- When you place a call, speak loudly and clearly.
- Shut the windows before calling.
- If both persons use a hands-free call to each other, or you make a call in a noisy location, you may have difficulty hearing the other person's voice, or transmitting to the other person.
- Certain voices may sound unnatural, depending on the person using the telephone, or on telephone line conditions.
- Depending on the mobile phone, you may not be able to use a hands-free phone.

Connect a Mobile Phone

If a mobile phone is connected for the first time, register a mobile phone by doing the following.



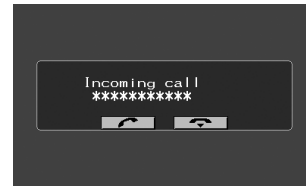
- The Bluetooth setting is required for a mobile phone. See the Owner's Manual of the mobile phone.
- To input a pass code in the mobile phone, see the Owner's Manual of the mobile phone.
- Perform the operations observing the screen of the mobile phone until the connection has completed.

- If ON is set in "Setting a Connection automatically (AUTO CONNECT)" (page 13), automatic connection of the previously connected mobile phone will start when power is turned on.
- If you previously registered a mobile phone in the unit, select the mobile phone you want from the registration device setting list. Refer to "Setting the registered Bluetooth Device (PAIRED DEVICE)" (page 12).

Receiving a Call

When a call is received, a received call sound rings, and the received call is announced in the display.

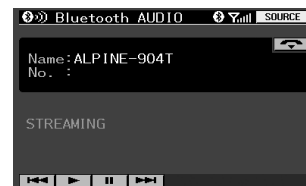
Touch [].
The call starts.



- If ON is set in "Receiving a Received Call automatically (AUTO ANSWER)" (page 13), an incoming call is answered automatically 5 seconds after it is received.
- You can set whether full-screen is displayed while a call is placed. For details, refer to "Setting the Screen to be Displayed while Calling (CALLING DISPLAY)" (page 10).

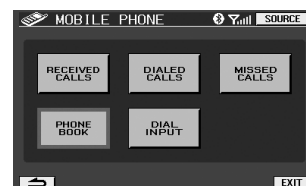
Hanging up

Touch [].
The call finishes.



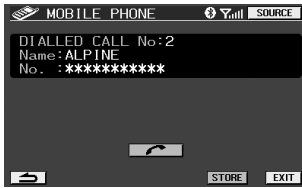
Placing a Call

- 1 Touch [MOBILE PHONE] on the SOURCE SELECT screen.
The MOBILE PHONE screen is displayed.
- 2 Select the desired method.



3 Touch [📞].

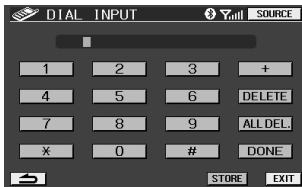
The telephone is placing a call.



- If you input a telephone number and place a call, this screen is not displayed.
- If [STORE] is touched, you can register in SPEED DIAL.
- Depending on the mobile phone, some functions may not work.

Placing a Call by Inputting a Telephone Number (DIAL INPUT)

Input the destination number, starting with the area code, and touch [DONE].

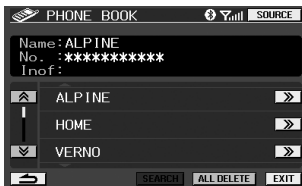


- If [DELETE] is touched, delete a character one by one. If [ALL DEL.] is touched, all characters are deleted.
- If [STORE] is touched, you can register in SPEED DIAL.

Placing a Call by the Telephone Book (PHONE BOOK)

You can select a person and place a call from a telephone book list downloadable to the unit from a mobile phone.

Touch [➤] of the person to whom you want to place a call.



- If you touch [≈] or [≡], you can change the list page.
- If [ALL DELETE] is touched, you can delete all the telephone book.
- If you connect a mobile phone to another one, a list of received calls, dialed calls and missed calls previously recorded in your connected mobile phone are automatically deleted.

Placing a Call by History (RECEIVED CALLS/DIALED CALLS/MISSED CALLS)

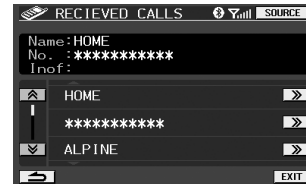
You can place a call by selecting a person from a list of received calls, dialed calls or missed calls.

RECEIVED CALLS: A telephone number list of previously received calls.

DIALED CALLS: A telephone number list of previously dialed calls.

MISSED CALLS: A telephone number list of persons whose calls you received but missed.

Touch [➤] of the person you wish to call.



- If you touch [≈] or [≡], you can change the list page.
- A maximum of 20 numbers can be stored in each call history. If a call history exceeds 20, the call history will be deleted in order from the oldest.
- If you connect a mobile phone to another one, a list of received calls, dialed calls and missed calls previously recorded in your connected mobile phone are automatically deleted.

Placing a Call by QUICK CALLS (QUICK CALLS)

You can place a call quickly to a telephone number you last dialed or received.

1 Touch [DIALED] or [RECEIVED] of QUICK CALLS on the SOURCE SELECT screen.



2 Touch [📞].

The call is placed.



- If [STORE] is touched, you can register in SPEED DIAL.

Placing a Call by SPEED DIAL (SPEED DIAL)

You can register up to 9 telephone numbers you frequently call in SPEED DIAL for easy dialing any time.

- 1 Touch the number you want to call by SPEED DIAL on the SOURCE SELECT screen.



- You can scroll a number by touching [◀] or [▶].

- 2 Touch [📞].

The call is placed.



Registering a Telephone Book

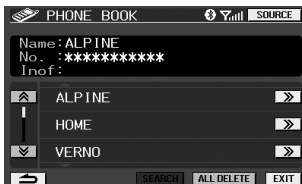
You can place a call by registering the telephone book registered in a mobile phone to the unit.

- 1 Send telephone book data from a mobile phone to the TME-T740BT.

When data has been sent, a message that data is received is displayed.

- 2 Touch [STORE].

The telephone book screen is displayed.



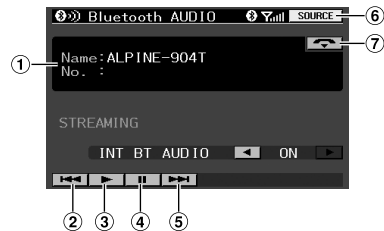
- For how to send telephone book data, refer to the mobile phone's Owner's Manual.
- The maximum number that can be registered in the telephone book of the unit is 205.
- Depending on the mobile phone, if [SEARCH] is touched on the telephone book screen, the telephone book of the mobile phone will automatically be read to the unit.
- If a telephone book is rewritten, touch [ALL DELETE], and delete the existing telephone book, then register the telephone book again.
- To place a call by a telephone book, refer to "Placing a Call by the Telephone Book (PHONE BOOK)" (page 8).

Bluetooth Audio Function (Optional)

Bluetooth Audio Operation

Audio information of a Bluetooth compatible mobile phone, portable player, etc., is by wireless controllable/playable* from the unit. Refer to "Connect a Mobile Phone" (page 7) to connect Bluetooth Audio devices.

* To play back audio, a mobile phone or portable player that conforms to A2DP (Advanced Audio Distribution Profile) is required. Video playback is not supported.



- 1 Displays the device name

- 2 ◀◀

Finds the beginning of the current track.

- 3 ▶

Playback

- 4 ||

Pause

- 5 ▶▶

Finds the beginning of the next track.

- 6 SOURCE

Displays the source selection screen.

- 7 📞

Hangs up a hands-free phone connection. The indicator is displayed while the call is placed.

Setting Bluetooth Audio Output Interruption (INT BT AUDIO)

The setting is made when Bluetooth Audio sound is output from an external unit (Ai-NET compatible head unit or rear monitor, etc.).

- 1 Touch [◀] or [▶] of INT BT AUDIO to switch ON/OFF.

ON / OFF (Initial Setting)

ON: ON is set when Bluetooth Audio sound is output from the Audio Output Connector (AUX OUT) via Ai-NET to the Ai-NET compatible head unit (DVA-9861, etc.).

OFF: OFF is set when Bluetooth Audio sound is output from the Audio Output Connector (AUX OUT) to the rear monitor.

- If audio is interrupted by a hands-free call or navigation guidance, the hands-free call or navigation guidance will interrupt having priority.
- The "INT BT AUDIO" setting can be made only when the Bluetooth audio screen is displayed. If you change to another source, the setting cannot be made.

Setup

You can flexibly customize the unit to suit your own preferences and usage.

Use steps 1 to 4 to select one of the **SETUP** modes to modify. See the applicable section below for details about the selected **SETUP** item.

- 1 Touch **[SETUP]** on the source select screen.
The **SETUP** selection screen is displayed.
- 2 Touch the desired setup item.



DISPLAY

DIMMER/DIMMER HIGH/DIMMER LOW/CALLING DISPLAY/
DISPLAY MODE/SCREEN ALIGNMENT/VISUAL EQ

GENERAL

BEEP/LED BRIGHTNESS/VOLUME CONTROL

SYSTEM

INT MUTE/AUX NAME/NAV. MODE/CAMERA INT

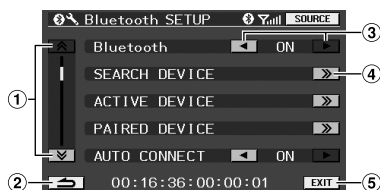
Bluetooth

Bluetooth/ SEARCH DEVICE/ACTIVE DEVICE/PAIRED DEVICE/
AUTO CONNECT/VISABLE MODE/AUTO ANSWER/REFUSED
CALL/PHONEBOOK/MIC GAIN

REAR SELECT

REAR SELECT

- 3 Touch **[<<]** or **[>>]**, etc., of the desired item to change its setting.



- 1 Switch page
 - 2 Returns to the previous display.
 - 3 Change the setting item.
 - 4 Displays the detailed setting screen.
 - 5 Exits the setting screen.
- 4 Touch **[EXIT]**.

Display Setup Operation

Setting the Brightness of the Backlighting (DIMMER)

HIGH / LOW / AUTO (Initial Setting)

Backlighting is provided by a fluorescent light built into the liquid crystal panel. The illumination control adjusts the brightness of the backlighting based on the car ambient lighting for easier viewing.

HIGH: Sets the brightness of the screen to the same brightness that was set in DIMMER HIGH in "Adjusting the Maximum Level of Backlight (DIMMER HIGH)" (page 10).

LOW: Sets the brightness of the screen to the same brightness that was set in DIMMER LOW in "Adjusting the Minimum Level of Backlight (DIMMER LOW)" (page 10).

AUTO: Adjust the brightness of the background illumination of the monitor automatically to the brightness of the car interior.

Adjusting the Maximum Level of Backlight (DIMMER HIGH)

MIN(16) to MAX(31) (Initial Setting: MIN)

If HIGH is set in "Setting the Brightness of the Backlighting (DIMMER)" (page 10), you can adjust the brightness of the backlighting. This function can be used, for instance, to change the screen brightness while traveling at night.

Adjusting the Minimum Level of Backlight (DIMMER LOW)

MIN(0) to MAX(15) (Initial Setting: MIN)

If LOW is set in "Setting the Brightness of the Backlighting (DIMMER)" (page 10), you can adjust the brightness of the backlighting. This function can be used, for instance, to change the screen brightness while traveling at night.

Setting the Screen to be Displayed while Calling (CALLING DISPLAY)

TEL.(Initial Setting) / MAIN

While a call is placed by a hands-free phone, you can set whether the telephone screen or the navigation screen, etc., is displayed

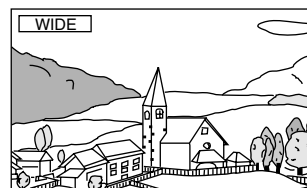
TEL.: Displays the telephone screen.

MAIN: Displays the current source screen (navigation, etc.).

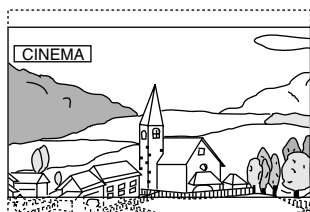
DISPLAY MODE

WIDE (Initial Setting) / CINEMA / NORMAL

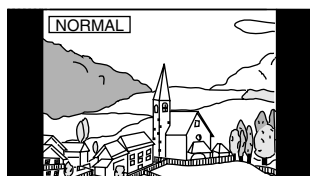
WIDE: The monitor displays a normal picture wider to fit in a wide-screen monitor by evenly stretching out the picture horizontally.



CINEMA: The monitor displays a normal picture by stretching out the picture vertically. This mode is good for displaying a cinema type picture at the 16 : 9 ratio.



NORMAL: The monitor displays a normal picture at the centre of the screen with a vertical black band at each side.



Adjusting the Touch Panel (SCREEN ALIGNMENT)

◀(RESET) / ▶▶ (SETUP)

Adjustment becomes necessary when the display position on the LCD and the touch position on the touch panel do not match.

- 1 Touch [▶▶] of SCREEN ALIGNMENT.**
The adjustment screen appears.
- 2 Accurately touch the [▶] mark provided in the lower left corner of the screen.**
The screen changes to the adjustment screen.
- 3 Accurately touch the [✕] mark provided in the upper right corner of the screen.**
This completes adjustment, and returns to the DISPLAY setup mode screen.

• If the setting is cancelled half way, press SOURCE.

VISUAL EQ™ Setting

① BRIGHT

MIN(-15) to MAX(+15) (Initial Setting: 0)

② COLOR

MIN(-15) to MAX(+15) (Initial Setting: 0)

③ TINT

G MAX(G15) to R MAX(R15) (Initial Setting: 0)

④ CONTRAST

MIN(-15) to MAX(+15) (Initial Setting: 0)

⑤ SHARP

MIN(-15) to MAX(+15) (Initial Setting: 0)

⑥ VISUAL EQ MODE

OFF(Initial Setting) / NIGHT M / SOFT / SHARP / CONTRAST / P-1 / P-2

OFF : Initial Setting

NIGHT M.: Suitable for movies in which dark scenes frequently appear.

SOFT: Suitable for CGs and animated films.

SHARP: Suitable for old movies where images are not clearly shown.

CONTRAST: Suitable for recent movies.

P-1: Recalls the VISUAL EQ mode being stored on preset No.P-1 from "⑦USER MEMORY" (page 12).

P-2: Recalls the VISUAL EQ mode being saved on preset No.P-2 from "⑦USER MEMORY" (page 12).

⑦ USER MEMORY

P-1 (Initial Setting) / P-2

You can store the settings made for "①BRIGH, ②COLOR, ③TINT, ④CONTRAST and ⑤SHARP."

After adjusting ① BRIGH, ② COLOR, ③ TINT, ④ CONTRAST and ⑤ SHARP, select the preset number (P-1) or (P-2) and store it by touching [WRITE].

• You can recall the VISUAL EQ mode stored here from P-1 or P-2 of "⑥VISUAL EQ Mode" (page 12).

GENERAL Setup

Sound (Beep) Guide Function (BEEP)

ON (Initial Setting) / OFF

ON: Activate the Sound Guide mode.

OFF: Deactivate the Sound Guide mode. The sound guide beep will not be produced when a button on the unit is pressed.

Adjusting the Brightness of the LED (LED BRIGHTNESS)

HIGH / NORMAL (Initial Setting) / LOW / OFF

You can set LED brightness (POWER indicator, etc.).

HIGH: Makes LED brighter.

NORMAL: Normal LED brightness.

LOW: Makes LED darker.

OFF: Turns LED off.

Change Sound Output (VOLUME CONTROL)

MONITOR (Initial Setting) / SYSTEM

If the unit is connected to the Vehiclehub Pro (VPA-B222), set to ON.

MONITOR: Outputs sound through the built-in speakers.

SYSTEM: Volume is adjustable from this unit if compatible devices are connected to the VPA-B222.

SYSTEM Setup

Hands-Free Phone Interruption Setting (INT MUTE)

ON (Initial Setting) / OFF

You can set a hands-free phone call to interrupt the head unit (DVA-9861, etc.).

ON: The received call or placed call interrupts the head unit. Audio of the head unit is muted at this time.

OFF: The received call or placed call does not interrupt the head unit.

- *IN-INT cable connected devices should be connected to the OUT-INT cable of the unit.*
- * *To make voice interruption of the mobile phone to the head unit, perform the following setting at the same time. If the settings are not performed, voice cannot be interrupted to the unit. Set to ON in "Making effective use of Refused Call (REFUSED CALL)" (page 13) and Bluetooth AUDIO in "REAR SELECT Setup" (page 13).*

External Input Name Setting (AUX NAME)

OFF / TV / DVD HU / EXT. DVD / GAME / AUX (Initial Setting)

Select the name from the following list, to be used for the product using the external input mode. This will apply to the touch switch name at source selection time and the source name during playback change.

Setting the Navigation Mode (NAV. MODE)

NAV. (Initial Setting) / EXT. / OFF

OFF: Navigation source is not displayed. The settings related to the navigation can not be changed from this unit.

NAV.: Navigation source is displayed.

EXT.: The source name is displayed as Vehicle Hub.

Setting of the Rear Camera (CAMERA INT)

ON (Initial Setting) / OFF

When the rear camera is connected, rear pictures are output on the screen.

OFF: The CAMERA source is not displayed on the SOURCE selection screen.

ON: Even if the shift lever is not set to reverse (R), the rear pictures are output by selecting the CAMERA source.

- *By shifting to reverse (R), the rear pictures are output. This function is effective when the reverse wire is properly connected.*

Bluetooth Setup

Setting the Bluetooth Connection (Bluetooth)

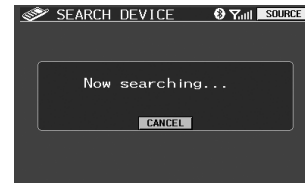
ON (Initial Setting) / OFF

The setting is made when a hands-free phone or Bluetooth Audio is used. Be sure to set to ON.

ON: The Bluetooth function can be used.

OFF: The Bluetooth function cannot be used.

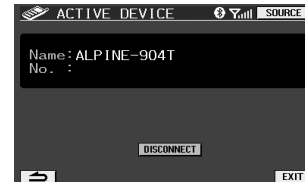
Searching for Connectable Bluetooth Device (Bluetooth Search) (SEARCH DEVICE)



- *If [CANCEL] is touched, search of the Bluetooth device is terminated.*
- *When a search is complete, a device selection list is displayed. If you touch [PAIR] of a Bluetooth device to be connected, the pass code input screen is displayed. Input the same pass code on the screen for the unit and the Bluetooth device. Refer to "Connect a Mobile Phone" (page 7).*

Observing Bluetooth Device Information (ACTIVE DEVICE)

You can check the details of a currently connected Bluetooth device.



- *If you connect a mobile phone to another one, be sure to touch [DISCONNECT], and cancel the currently connected mobile phone.*

Setting the registered Bluetooth Device (PAIRED DEVICE)

Previously up to 8 connected mobile phones to the unit were registered. Select the one you wish to use.



- *If [CONNECT] is touched, the Bluetooth device is connected.*
- *If [DELETE] is touched, the Bluetooth device is deleted. If [ALL DELETE] is touched, all Bluetooth devices are deleted.*
- *If a Bluetooth device which is not registered in the list is connected, search for a Bluetooth device by touching [SEARCH].*

Setting a Connection automatically (AUTO CONNECT)

ON (Initial Setting) / OFF

The setting can be made whether previously connected mobile phone is automatically recognized and connected or not.

ON: The previously connected mobile phone will be automatically connected.

OFF: Select a mobile phone by using [SEARCH DEVICE].

- *Depending on the mobile phone, it may require setting. Refer to the Owner's Manual of the mobile phone.*

Sending Name Information of the Unit (VISIBLE MODE)

ON (Initial Setting) / OFF

The setting can be made whether unit name information is sent to the Bluetooth device (mobile phone, etc.) or not.

ON: Name information of the unit (TME-M740BT) is sent to the Bluetooth device.


OFF: Name information of the unit is not sent to the Bluetooth device.

Receiving a Received Call automatically (AUTO ANSWER)

ON / OFF (Initial Setting)

The setting can be made whether the call is automatically received or not when a call is received.

ON: When receiving a call, you can automatically call after approx. 5 seconds.

OFF: When receiving a call, the call will not be automatically received. Receive the call by touching [].

Making effective use of Refused Call (REFUSED CALL)

ON / OFF (Initial Setting)

If you do not wish to accept a received call while driving, you can set to not receive that call by hands-free operation.

ON: When a call is received, nothing appears in the display, and you can neither receive the call by hands-free operation, or automatically receive it.

OFF: You can receive a call by hands-free operation.

- *If "REFUSED CALL" is set to ON when a call is received, a mobile phone will still be received.*

Setting the Telephone Book to be used (PHONEBOOK)

UNIT (Initial Setting) / CARD

You can set whether to use a mobile phone or SIM card from which to download a telephone book to the unit.

UNIT: The telephone book of a mobile phone is used.

CARD: The telephone book of a SIM card, etc., is used.

Setting Volume of the Call (MIC GAIN)

MIN(1) to MAX(7) (Initial Setting:5)

The volume of a call can be set at one of 7 levels.

REAR SELECT Setup

Rear Monitor Select Function

AUX* (Initial Setting) / Bluetooth AUDIO / OFF

If another monitor (Rear) is connected to the unit, image/audio of the rear monitor can be changed from the unit, so you can enjoy separate image/audio in the rear seats.

- * *The name which is given as the source name in "External Input Name setting (AUX NAME)" on page 12 is displayed. You cannot control from the rear monitor.*

Setting Output of the Navigation Guidance Interruption (INT NAV. GUIDE)

ON / OFF (Initial Setting)

When a navigation guidance signal is sent to the rear output (AUX OUT), you can send the navigation guidance interruption to the rear output.

ON: When the setting is made other than OFF in "REAR SELECT Setup," the navigation guidance interruption will be sent to rear output (AUX OUT).

OFF: The navigation guidance interruption cannot be sent to rear output (AUX OUT), regardless of the setting in "REAR SELECT Setup."

- *When OFF is set in "REAR SELECT Setup," the navigation guidance interruption will not be sent to the rear output (AUX OUT), even if INT NAV. GUIDE is set to ON.*
- *If a hands-free call and navigation guidance interrupt at the same time, the hands-free call will take priority.*

Information

In Case of Difficulty

If you encounter a problem, please turn the power off, then on again. If the unit is still not functioning normally, please review the items in the following checklist. This guide will help you isolate the problem if the unit is at fault. Otherwise, make sure the rest of your system is properly connected, or then consult your authorized Alpine dealer.

Basic

No function or display.

- Vehicle's ignition is off.
 - If connected according to the instructions, the unit will not operate with the vehicle's ignition off.
- Improper power lead connections.
 - Check power lead connections.
- Blown fuse.
 - Check the fuse on the battery lead of the unit; replace with the proper value if necessary.

No sound or unnatural sound.

- Connections are not properly or securely made.
 - Check the connections and firmly connect.

Screen not displayed.

- Brightness control is set at the minimum position.
 - Adjust the Brightness control.
- Temperature in the vehicle is too low.
 - Increase the vehicle's interior temperature to operation temperature range.
- Connections to the DVD, navigation system are not securely made.
 - Check the connections and firmly connect.

Unclear or noisy display.

- Fluorescent plate is worn out.
 - Replace the fluorescent plate.

Navigation system inoperative.

- Connections to the navigation system are incorrect.
 - Check the connections with the navigation system and connect the cables correctly and firmly.

Unclear picture display.

- Fluorescent tube is exhausted.
 - Replace the fluorescent tube*.

* The fluorescent tube replacement is not free of charge even within the warranty period, for the tube is an article of consumption.

Unit does not operate.

- Monitor's power is not turned on.
 - Turn on the monitor's power.

No picture is produced.

- Monitor's mode is not switched to the mode you want to see.
 - Switch to the mode you want to see.
- Monitor's parking brake lead is not connected.
 - Connect the monitor's parking brake lead and set the parking brake.
(For details, refer to the monitor's instructions.)

- Monitor's parking brake is not set.
 - Connect the monitor's parking brake lead and set the parking brake.
(For details, refer to the monitor's instructions.)

Picture is unclear or noisy.

- Vehicle's battery power is weak.
 - Check the battery power and wiring.
(The unit may malfunction if the battery power is under 11 volts with a load applied.)
- Monitor's fluorescent tube is worn.
 - Replace the monitor's fluorescent tube.

Spots or dotted lines/stripes appear.

- Caused by neon signs, high-voltage power lines, CB transmitter, other vehicle's ignition plugs, etc.
 - Change the location of your vehicle.

Hands-free phone voice does not interrupt to the head unit.

- Interruption is not correctly set.
 - Set INT MUTE to ON (page 12).
 - Set REFUSED CALL to OFF (page 13).
 - Set REAR SELECT to Bluetooth AUDIO (page 13).
- Interruption on the head unit is not correctly set.
 - Set INT MUTE to OFF (refer to the Owner's Manual of the head unit).

Specifications

MONITOR SECTION

Screen Size	6.95-type
LCD Type	Transparent type TN LCD
Operation System	TFT active matrix
Number of Picture Elements	1,152,000 pcs.
Effective Number of Picture Elements	99.99% or more
Illumination System	Cold cathode fluorescent tube

GENERAL

Power Requirement	14.4 V DC (11–16 V allowable)
Weight	(Monitor Section) 283 g (10 oz)

CHASSIS SIZE (Monitor section)

Width	178 mm (7")
Height	100 mm (3-15/16")
Depth	36 mm (1-7/16")

- Due to continuous product improvement, specifications and design are subject to change without notice.
- The LCD panel is manufactured using an extremely high precision manufacturing technology. Its effective pixel ratio is over 99.99%. This means that there is a possibility that 0.01% of the pixels could be either always ON or OFF.

Installation and Connections

Before installing or connecting the unit, please read the following and pages 2 to 3 of this manual thoroughly for proper use.

Warning

MAKE THE CORRECT CONNECTIONS

Failure to make the proper connections may result in fire or product damage.

USE ONLY IN CARS WITH A 12 VOLT NEGATIVE GROUND.

(Check with your dealer if you are not sure.) Failure to do so may result in fire, etc.

BEFORE WIRING, DISCONNECT THE CABLE FROM THE NEGATIVE BATTERY TERMINAL.

Failure to do so may result in electric shock or injury due to electrical shorts.

DO NOT ALLOW CABLES TO BECOME ENTANGLED IN SURROUNDING OBJECTS.

Arrange wiring and cables in compliance with the manual to prevent obstructions when driving. Cables or wiring that obstruct or hang up on places such as the steering wheel, shift lever, brake pedals, etc. can be extremely hazardous.

DO NOT SPLICE INTO ELECTRICAL CABLES.

Never cut away cable insulation to supply power to other equipment. Doing so will exceed the current carrying capacity of the wire and result in fire or electric shock.

DO NOT DAMAGE PIPE OR WIRING WHEN DRILLING HOLES.

When drilling holes in the chassis for installation, take precautions so as not to contact, damage or obstruct pipes, fuel lines, tanks or electrical wiring. Failure to take such precautions may result in fire.

DO NOT USE BOLTS OR NUTS IN THE BRAKE OR STEERING SYSTEMS TO MAKE GROUND CONNECTIONS.

Bolts or nuts used for the brake or steering systems (or any other safety-related system), or tanks should NEVER be used for installations or ground connections. Using such parts could disable control of the vehicle and cause fire etc.

KEEP SMALL OBJECTS SUCH AS BOLTS OR SCREWS OUT OF THE REACH OF CHILDREN.

Swallowing them may result in serious injury. If swallowed, consult a physician immediately.

DO NOT INSTALL IN LOCATIONS WHICH MIGHT HINDER VEHICLE OPERATION, SUCH AS THE STEERING WHEEL OR GEARSHIFT.

Doing so may obstruct forward vision or hamper movement etc. and results in serious accident.

Caution

HAVE THE WIRING AND INSTALLATION DONE BY EXPERTS.

The wiring and installation of this unit requires special technical skill and experience. To ensure safety, always contact the dealer where you purchased this product to have the work done.

USE SPECIFIED ACCESSORY PARTS AND INSTALL THEM SECURELY.

Be sure to use only the specified accessory parts. Use of other than designated parts may damage this unit internally or may not securely install the unit in place. This may cause parts to become loose resulting in hazards or product failure.

ARRANGE THE WIRING SO IT IS NOT CRIMPED OR PINCHED BY A SHARP METAL EDGE.

Route the cables and wiring away from moving parts (like the seat rails) or sharp or pointed edges. This will prevent crimping and damage to the wiring. If wiring passes through a hole in metal, use a rubber grommet to prevent the wire's insulation from being cut by the metal edge of the hole.

DO NOT INSTALL IN LOCATIONS WITH HIGH MOISTURE OR DUST.

Avoid installing the unit in locations with high incidence of moisture or dust. Moisture or dust that penetrates into this unit may result in product failure.

Precautions

- Be sure to disconnect the cable from the (-) battery post before installing your TME-M740BT. This will reduce any chance of damage to the unit in case of a short-circuit.
- Be sure to connect the color coded leads according to the diagram. Incorrect connections may cause the unit to malfunction or damage to the vehicle's electrical system.
- When making connections to the vehicle's electrical system, be aware of the factory installed components (e.g. on-board computer). Do not tap into these leads to provide power for this unit. When connecting the TME-M740BT to the fuse box, make sure the fuse for the intended circuit of the TME-M740BT has the appropriate amperage. Failure to do so may result in damage to the unit and/or the vehicle. When in doubt, consult your ALPINE dealer.
- The TME-M740BT uses female RCA-type jacks for connection to other units having RCA connectors. You may need an adaptor to connect other units. If so, please contact your authorized ALPINE dealer for assistance.
- The Display must be completely retracted in the casing when installing. If it is not, problems may occur.

IMPORTANT

Please record the serial number of your unit in the space provided below and keep it as a permanent record. The serial number plate is located on the bottom of the unit.

SERIAL NUMBER: _____

INSTALLATION DATE: _____

INSTALLATION TECHNICIAN: _____

PLACE OF PURCHASE: _____

Installation

Accessory List

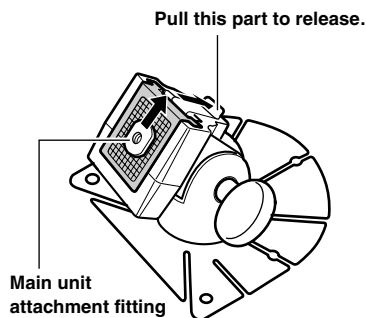
Monitor	1
Display cable (2.5m)/Power Cable	1
Cord clamp	3
Monitor stand	1
Fixing Screw (M4×12)	3
Cloth	1
Bracket Center	1
Bracket Side (L/R)	2
Screw (M5×8)	8
Owner's Manual	1

Attaching the monitor and stand

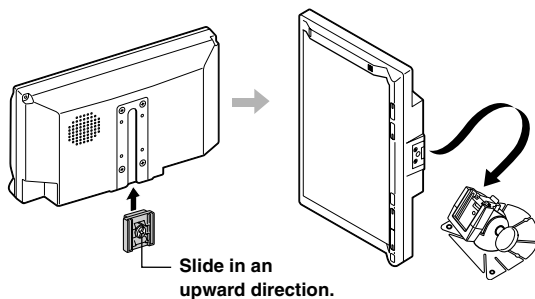
CAUTION

Do not install the monitor near the front passenger seat air bag system.

1 Remove the main unit attachment fitting.

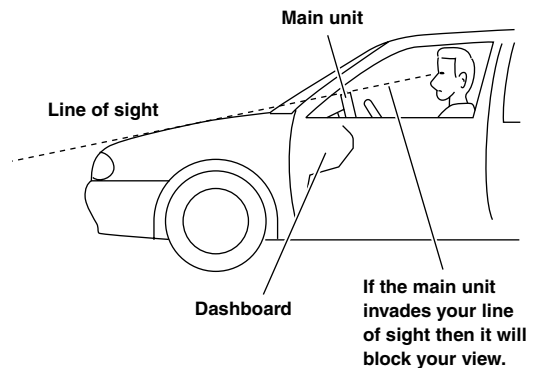
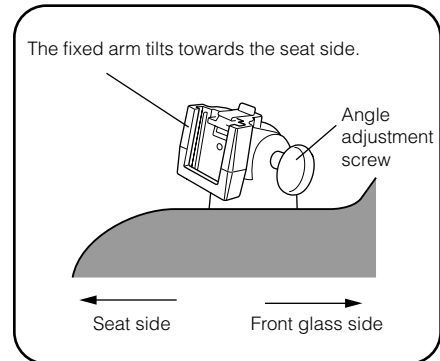


2 Loosen the main unit attachment fitting with a coin etc., slide it into the track on the rear of the main unit and temporarily fasten it. Then fix it to the stand.



3 Check the sticking position.

- Temporarily fasten the stand with gum tape.
- Loosen the adjustment screws, and adjust to a safe, viewable position.

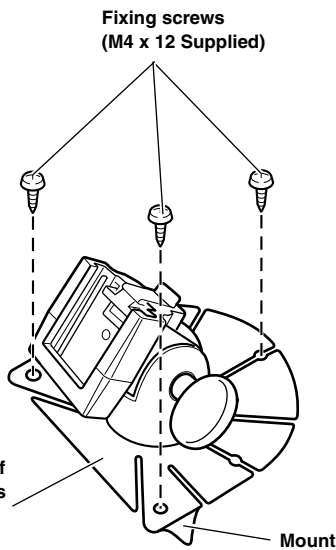


In order to use safely, attach to the following places.

- Stable and secure places.
 - Places that will not have your view blocked by the main unit when driving.
 - Places that you will not hit against if you lean forward while you wearing your seatbelt.
 - Places where the main unit cannot hit against the steering wheel while driving.
- Be aware that if the surface of the dashboard is leather, wooden panel, stretched fabric or any non-resin based product, then the surface will be damaged when you remove the stand.
- Do not place the main unit directly in front of the air conditioner vents.

4 Remove the main unit from the stand.

- 5** Remove the mount from the stand and stick it to the dashboard etc.. Remove any dirt on the place to install, using the supplied cloth.



If the place of attachment is curved, then bend this part to match the shape.

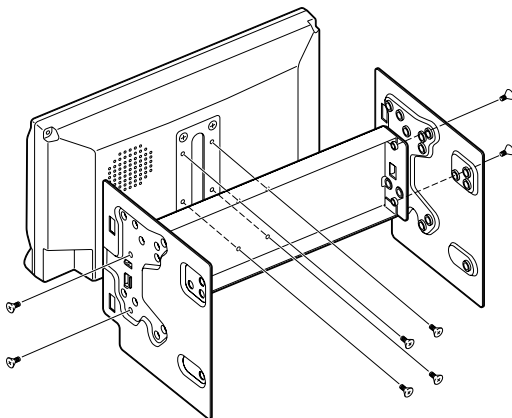
- If the temperature in the car is low (Winter), then first heat up the place where you are going to stick the mount with a hairdryer etc.
- Do not apply force to the mount, or expose to humidity, within 24 hours after attaching.
- If the mount is not firmly stuck, then we recommend that you attach with the supplied fixing screws.

- 6** Attach the main unit to the stand as shown in step 2. Use the cable clamps to fix the cables.

- Before using, check that the main unit and the stand, and the stand and the place where it is attached to the car are fixed securely.

Mounting the Monitor on the Indash using a Bracket

- 1** Mount the bracket using the supplied screws (M5 x 8).
- 2** Mount the bracket on the monitor using the supplied screws (M5 x 8).



- 3** Mount the monitor with bracket attached in the car.

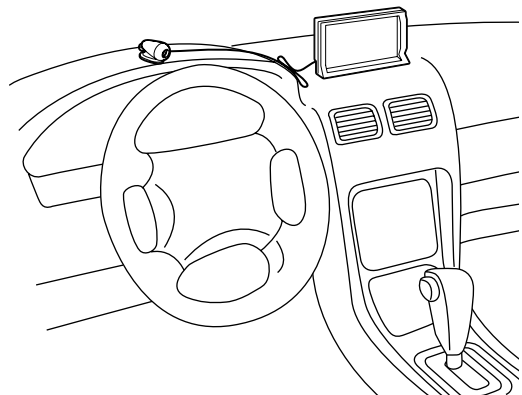
Mounting an external Microphone for Hands-Free Calling

For the sake of safety, mount the microphone in the following location.

- In a stable and secure location.
- In a location where there is no interference of driver operation.
- Mount the external microphone used for the hands-free phone in a location where the driver's voice can easily be picked up. Mount the microphone in consideration of its direction and distance from the driver so that the voice can easily be picked up with no driver movement, which may otherwise cause driver distraction.
- If an external microphone is connected, an internal microphone cannot be used.

- 1** Peel off the paper seal on the base of the external microphone, and stick it on the dashboard.

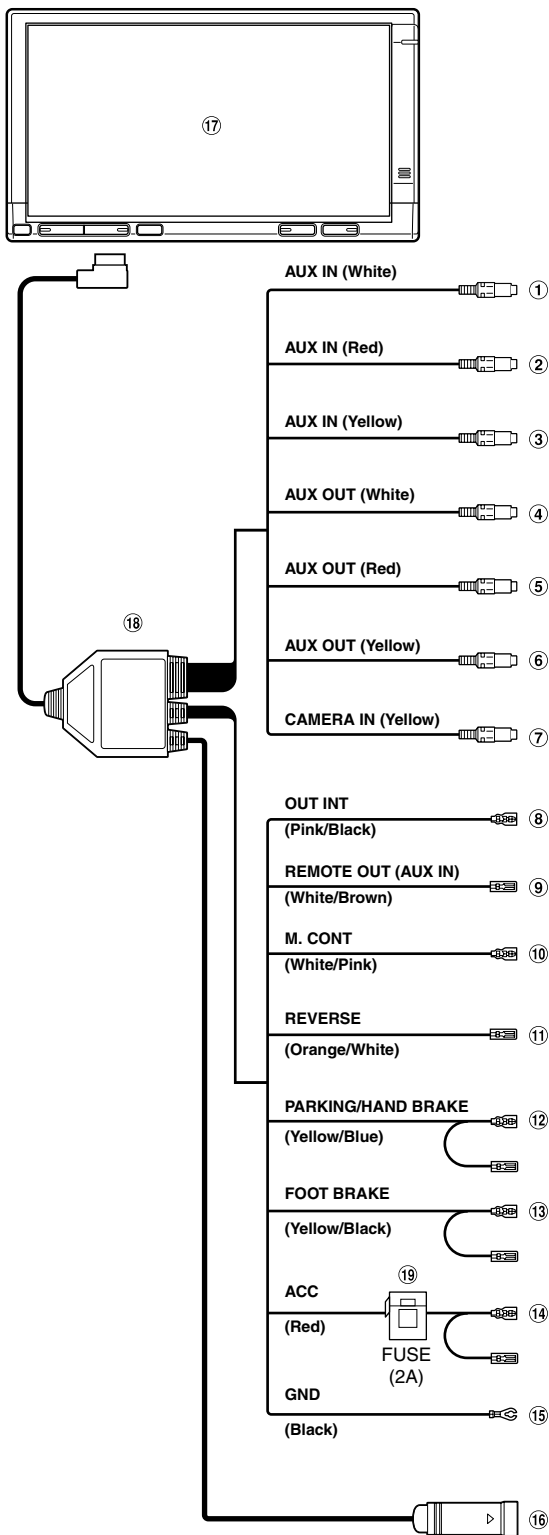
Using the supplied cleaner, clean the mounting surface area thoroughly, and then stick the microphone in place.



To prevent external noise from entering the audio system.

- Locate the unit and route the leads at least 10 cm away from the car harness.
- Keep the battery power leads as far away from other leads as possible.
- Connect the ground lead securely to a bare metal spot (remove any paint, dirt or grease if necessary) of the car chassis.
- If you add an optional noise suppressor, connect it as far away from the unit as possible. Your Alpine dealer carries various noise suppressors, contact them for further information.
- Your Alpine dealer knows best about noise prevention measures so consult your dealer for further information.

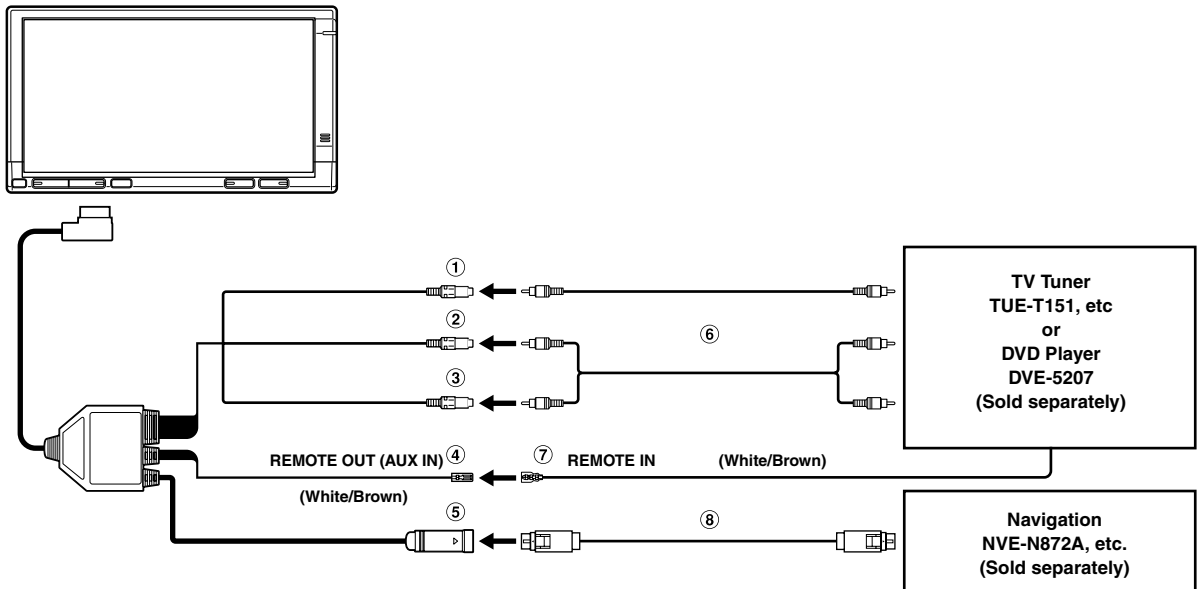
Connections



- ① **Audio Input Connector (AUX IN) (White)**
Left input the audio.
- ② **Audio Input Connector (AUX IN) (Red)**
Right input the audio.
- ③ **Video Input Connector (AUX IN) (Yellow)**
Input the video.
- ④ **Audio Output Connector (AUX OUT) (White)**
Left output the audio.
- ⑤ **Audio Output Connector (AUX OUT) (Red)**
Right output the audio.
- ⑥ **Video Output Connector (AUX OUT) (Yellow)**
Output the video.
- ⑦ **Camera Input Connector (Yellow)**
Use when connecting a back-up camera.
- ⑧ **Audio Interrupt Out Lead (Pink/Black)**
- ⑨ **Remote Control Output Lead (AUX IN) (White/Brown)**
Connect this lead to the remote control input lead. This lead outputs the controlling signals from the remote control.
- ⑩ **Monitor Control Lead (White/Pink)**
Connect this to the Monitor Control Lead of a touch panel compatible product.
- ⑪ **Reverse Lead (Orange/White)**
Use only when a back-up camera is connected. Connect to the plus side of the car's reverse lamp that lights when the transmission is shifted into reverse (R). Switches the video picture to the back-up camera. This is linked with putting the car into reverse (R).
- ⑫ **Parking/Hand Brake Lead (Yellow/Blue)**
Connect this lead to the power supply side of the parking brake switch to transmit the parking brake status signals to the TME-M740BT.
- ⑬ **Foot Brake Lead (Yellow/Black)**
Connect to the vehicle's foot brake lead or brake lamp lead.
- ⑭ **Switched Power Lead (Ignition) (Red)**
Connect this lead to an open terminal on the vehicle's fuse box or another unused power source which provides (+) 12V only when the ignition is turned on or in the accessory position.
- ⑮ **Ground Lead (Black)**
Connect this lead to a good chassis ground on the vehicle. Make sure the connection is made to bare metal and is securely fastened using the sheet metal screw provided.
- ⑯ **RGB Input Connector**
Connect this to the RGB output terminal of the Navigation System or Vehiclehub Pro System.
- ⑰ **Main monitor**
- ⑱ **Display cable / Power cable**
- ⑲ **Fuse Holder (2A)**

System Example

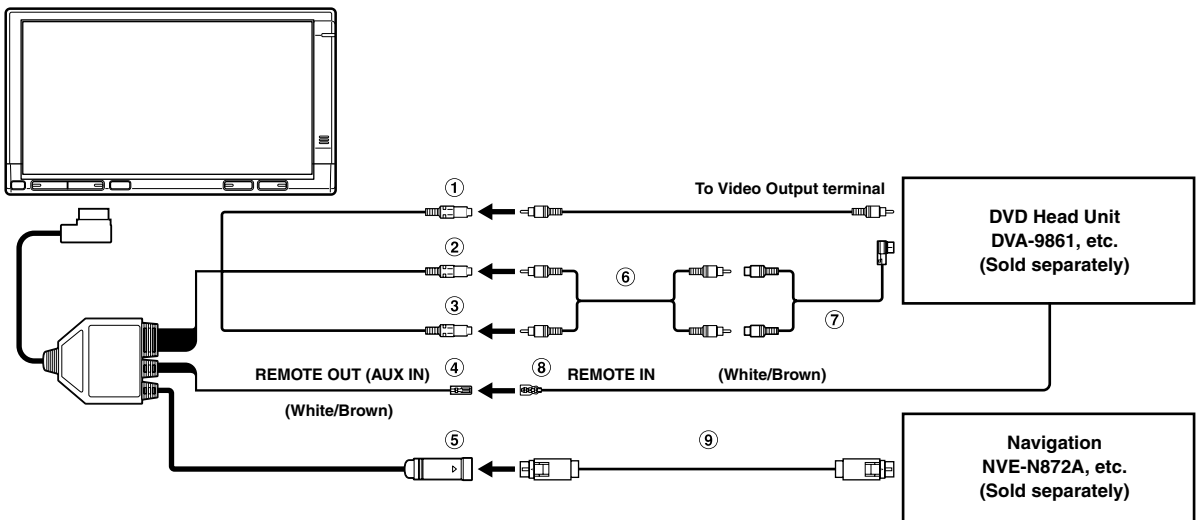
Connect the Navigation system, TV Tuner or DVD Player



- ① Video Input Connector (AUX IN) (Yellow)
- ② Audio Input Connector (AUX IN) (Red)
- ③ Audio Input Connector (AUX IN) (White)
- ④ Remote Control Output Lead (AUX IN) (White/Brown)
- ⑤ RGB Input Connector
- ⑥ RCA Extension Cable (Sold separately)
- ⑦ Remote Control Input Lead (White/Brown)
- ⑧ RGB Cable (Included with Navigation)

Connect this lead to the remote control input lead. This lead outputs the controlling signals from the remote control.

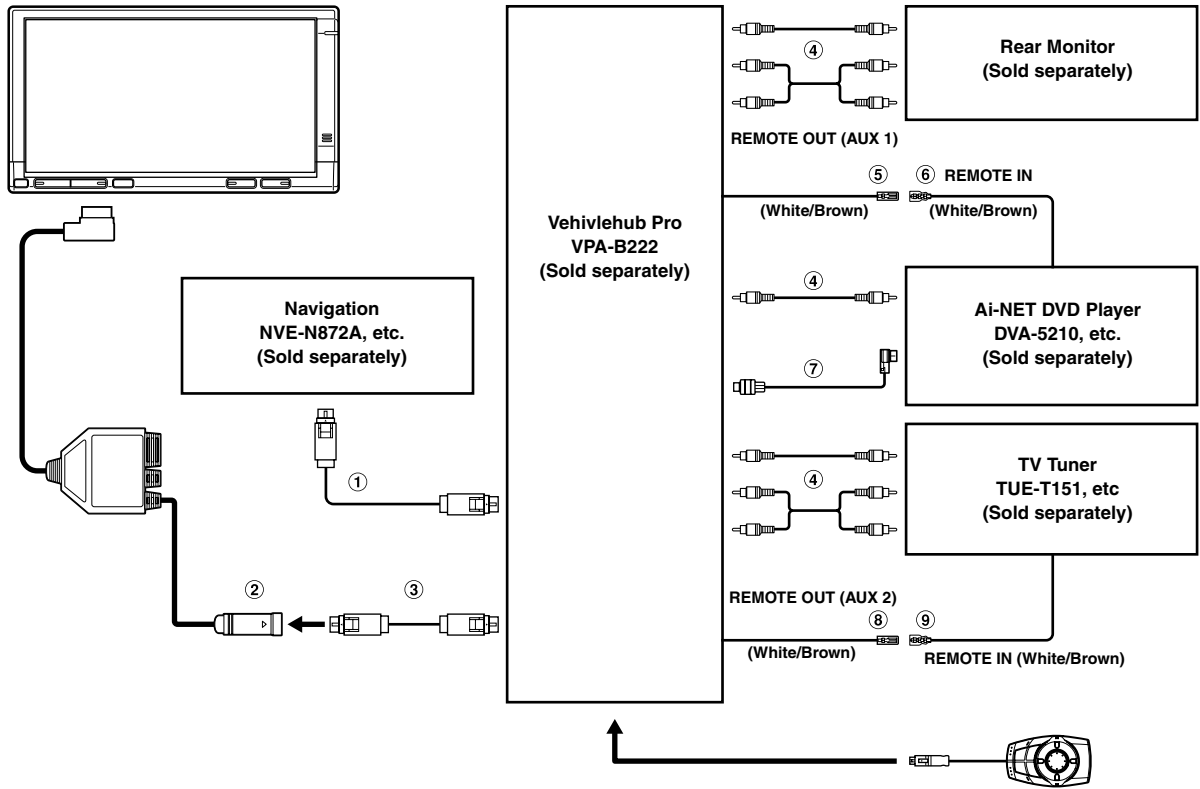
Connect the Navigation system and DVD Head Unit



- ① Video Input Connector (AUX IN) (Yellow)
- ② Audio Output Connector (AUX OUT) (Red)
- ③ Audio Output Connector (AUX OUT) (White)
- ④ Remote Control Output Lead (AUX IN) (White/Brown)
- ⑤ RGB Input Connector
- ⑥ RCA Extension Cable (Sold separately)
- ⑦ Ai-RCA Connector KCA-121B (Sold separately)
- ⑧ Remote Control Input Lead (White/Brown)
- ⑨ RGB Cable (Included with Navigation)

Connect this lead to the remote control input lead. This lead outputs the controlling signals from the remote control.

Connect the Vehiclehub Pro, Navigation system, TV Tuner and DVD Player



- ① RGB Cable (Included with Navigation)
- ② RGB Input Connector
- ③ RGB Cable (Sold separately)
- ④ RCA Extension Cable (Sold separately)
- ⑤ Remote Control Output Lead (AUX 1) (White/Brown)
Connect this lead to the remote control input lead. This lead outputs the controlling signals from the remote control.

- ⑥ Remote Control Input Lead (White/Brown)
- ⑦ Ai-NET Cable (Included with DVD Head Unit)
- ⑧ Remote Control Output Lead (AUX 2) (White/Brown)
Connect this lead to the remote control input lead. This lead outputs the controlling signals from the remote control.
- ⑨ Remote Control Input Lead (White/Brown)

Contenu

Mode d'emploi

AVERTISSEMENT

AVERTISSEMENT	2
ATTENTION	2
PRÉCAUTIONS	2

Mise en route

Emplacement des commandes	3
Mise sous et hors tension	4
Réglage du volume	4
Changement de la source	4

Utilisation d'un appareil auxiliaire

Utilisation du lecteur DVD vidéo (en option) ..	5
Fonctionnement du menu DVD	5
Utilisation du téléviseur (en option)	6

Téléphone mains libres (en option)

À propos du téléphone mains libres	6
Raccordement d'un téléphone portable	7
Pour recevoir un appel	7
Pour raccrocher	7
Pour effectuer un appel	7
Pour effectuer un appel en composant le numéro de téléphone (DIAL INPUT)	8
Pour effectuer un appel à l'aide de l'agenda (PHONE BOOK)	8
Pour effectuer un appel à l'aide des listes d'appels (RECEIVED CALLS/DIALED CALLS/MISSED CALLS)	8
Pour effectuer un appel à l'aide de la fonction d'appel rapide (QUICK CALLS)	8
Pour effectuer un appel à l'aide de la fonction de numérotation rapide (SPEED DIAL)	9
Enregistrement d'un agenda	9

Fonction Bluetooth Audio (en option)

Utilisation de la fonction Bluetooth Audio	9
Réglage de l'interruption de sortie de la fonction Bluetooth Audio (INT BT AUDIO)	9

Écran de configuration (SETUP)

Opération de configuration de l'affichage ...	10
Configuration générale	11
Configuration système	12
Configuration de la fonction Bluetooth	12
Réglage du mode REAR SELECT	13

Informations

En cas de problème	14
Caractéristiques techniques	14

Installation et Raccordements

Avertissement	15
Attention	15
Précautions	15
Installation	16
Fixation du moniteur et du socle	16
Fixation d'une microphone externe pour effectuer des appels mains libres	17
Raccordements	18
Exemple de système	19

GARANTIE LIMITÉE

Mode d'emploi

AVERTISSEMENT



AVERTISSEMENT

Ce symbole désigne des instructions importantes. Le non-respect de ces instructions peut entraîner de graves blessures, voire la mort.

INSTALLER L'APPAREIL CORRECTEMENT DE FAÇON A CE QUE LE CONDUCTEUR NE PUISSE PAS REGARDER LA TV/ VIDEO TANT QUE LA VOITURE N'EST PAS A L'ARRET ET LE FREIN A MAIN ACTIONNE.

Il est dangereux de regarder la télévision/ vidéo tout en conduisant un véhicule. Si le produit n'est pas correctement installé, le conducteur sera en mesure de regarder la télévision/vidéo pendant la conduite du véhicule, ce qui risque de le distraire et de causer un accident. Le conducteur ainsi que d'autres personnes risquent d'être blessés.

NE PAS REGARDER DE VIDEO PENDANT LA CONDUITE.

Le visionnage d'un enregistrement vidéo peut distraire le conducteur de la conduite du véhicule et causer un accident.

N'ACTIVER AUCUNE FONCTION SUSCEPTIBLE DE DETOURNER VOTRE ATTENTION DE LA CONDUITE DU VEHICULE.

Les fonctions requérant une attention prolongée ne doivent être exploitées qu'à l'arrêt complet du véhicule. Toujours arrêter le véhicule à un endroit sûr avant d'activer ces fonctions. Il y a risque de provoquer un accident.

GARDER LE VOLUME À FAIBLE NIVEAU DE MANIÈRE À POUVOIR ENTENDRE LES BRUITS EXTÉRIEURS PENDANT LA CONDUITE.

Des niveaux de volume excessifs qui couvrent les sirènes des ambulances ou les signaux routiers (passages à niveau, etc.) peuvent être dangereux et provoquer un accident. UN NIVEAU DE VOLUME TROP ÉLEVÉ À L'INTÉRIEUR DU VÉHICULE PEUT ÉGALEMENT AVOIR DES EFFETS IRRÉVERSIBLES SUR VOTRE AUDITION.

MINIMISER L'AFFICHAGE EN COURS DE CONDUITE.

La visualisation de l'affichage peut distraire le conducteur de la conduite du véhicule et, partant, de provoquer un accident.

NE PAS DESASSEMBLER NI MODIFIER L'APPAREIL.

Il y a risque d'accident, d'incendie ou de choc électrique.

A UTILISER UNIQUEMENT SUR DES VOITURES A MASSE NEGATIVE DE 12 VOLTS.

(Vérifiez auprès de votre concessionnaire si vous n'en êtes pas certain.) Il y a risque d'incendie, etc.

GARDER LES PETITS OBJETS COMME LES PILES HORS DE PORTEE DES ENFANTS.

L'ingestion de tels objets peut entraîner de graves blessures. En cas d'ingestion, consulter immédiatement un médecin.

UTILISER DES FUSIBLES DE L'AMPERAGE APPROPRIE.

Il y a risque d'incendie ou de décharge électrique.

UTILISER CET APPAREIL POUR DES APPLICATIONS MOBILES DE 12 V.

Toute utilisation autre que l'application désignée comporte un risque d'incendie, de choc électrique ou de blessure.

NE PAS INSTALLER LE MONITEUR PRES DU COUSSIN D'AIR DU PASSAGER.

Si l'appareil n'est pas installé correctement, il risque d'empêcher le fonctionnement du coussin d'air, et si le coussin se déploie, l'appareil risque d'être projeté dans l'habitacle, causant un accident et des blessures.



ATTENTION

Ce symbole désigne des instructions importantes. Le non-respect de ces instructions peut entraîner des blessures ou des dommages matériels.

INTERROMPRE TOUTE UTILISATION EN CAS DE PROBLEME.

Le non-respect de cette précaution peut entraîner des blessures ou endommager l'appareil. Retourner l'appareil auprès du distributeur Alpine agréé ou un centre de service après-vente Alpine en vue de la réparation.



PRÉCAUTIONS

Nettoyage du produit

Nettoyez régulièrement le produit avec un chiffon doux et sec. En cas de taches tenaces, trempez le chiffon dans l'eau uniquement. Tout autre produit risque de dissoudre la peinture ou d'endommager le plastique.

Température

Assurez-vous que la température intérieure du véhicule est comprise entre +45°C (+113°F) et 0°C (+32°F) avant de mettre l'appareil sous tension.

Entretien

En cas de problème, n'essayez pas de réparer l'appareil vous-même. Rappelez l'appareil à votre revendeur Alpine, ou à défaut, apportez-le dans un centre de réparation Alpine.

Emplacement de montage

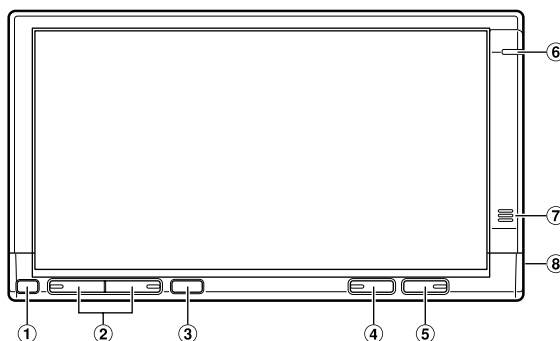
N'installez pas le TME-M740BT dans un endroit exposé :

- directement au soleil ou à la chaleur,
- à l'humidité et à l'eau,
- à la poussière,
- à des vibrations excessives.

- Après avoir mis le système hors tension, une légère image fantôme reste temporairement apparente. C'est un phénomène tout à fait normal inhérent à la technologie LCD.
- Sous de faibles températures, il se peut que l'écran perde temporairement de son contraste. Après une brève période de préchauffage, il revient à la normale.

Certaines fonctions de cet appareil ont un fonctionnement très complexe. C'est la raison pour laquelle celles-ci se trouvent sur un écran spécial. Ces fonctions ne peuvent donc être utilisées que lorsque le véhicule est à l'arrêt. De cette façon, le conducteur se concentre sur la route et non sur le TME-M740BT. Cette fonction a été conçue pour la sécurité du conducteur et des passagers. La configuration de l'appareil est donc impossible pendant la conduite du véhicule. Le véhicule doit être à l'arrêt et le frein à main actionné pour que la procédure décrite dans le mode d'emploi soit valide. Le message d'avertissement « Operation is not allowed while driving » (Cette opération n'est pas autorisée pendant la conduite) s'affiche dès que vous tentez d'effectuer ces opérations pendant la conduite du véhicule.

Mise en route



Emplacement des commandes

- ① **Capteur DIMMER**
Détection de la luminosité à l'intérieur du véhicule
- ② **Touche de volume**
Pour régler le volume, appuyez sur la touche ▲ ou ▼.
- ③ **Capteur de télécommande**
Pointez l'émetteur de la télécommande en option vers le capteur de télécommande dans un rayon de 2 mètres.
- ④ **Touche SOURCE**
Chaque fois que vous appuyez sur la touche SOURCE, la source change.
Si vous appuyez sur cette touche pendant au moins 3 secondes, le système Vehiclehub Pro VPA-B222's (en option) se met sous ou hors tension.
- ⑤ **Touche ⏻ (POWER)**
Commande la mise sous/hors tension.
Si vous appuyez sur cette touche pendant au moins 3 secondes, le volume du système Vehiclehub Pro VPA-B222's (vendu séparément) est activé ou désactivé.
- ⑥ **Témoin Bluetooth**
S'allume lorsque le « Réglage de la connexion Bluetooth (Bluetooth) » (page 13) est réglé sur ON. Clignote lorsqu'un téléphone mains libres est utilisé pour recevoir ou effectuer un appel, ou lors d'un appel.
- ⑦ **Microphone du téléphone portable**
Si le signal reçu est trop puissant, servez-vous du microphone externe fourni pour utiliser le téléphone mains libres.
- ⑧ **Prise du microphone externe du téléphone portable**
Si un microphone externe est raccordé, il est impossible d'utiliser le microphone interne.

Mise sous et hors tension

1 Appuyez sur **POWER** pour mettre l'appareil sous tension.

2 Appuyez sur **POWER** pour mettre l'appareil hors tension.

- Certaines opérations de l'appareil ne peuvent pas être effectuées lorsque le véhicule est en mouvement. Dans ce cas, arrêtez le véhicule, puis serrez le frein à main.
- Lorsque la température ambiante est basse, le contraste de l'affichage peut ne pas apparaître pendant un bref instant immédiatement après la mise sous tension de l'appareil. Dès que l'affichage (LCD) est préchauffé, il revient à la normale.
- Si la tension électrique de la batterie du véhicule est faible, il est possible que l'écran clignote. Ceci est tout à fait normal et il ne s'agit pas d'un dysfonctionnement.

Réglage du volume

Pour régler le volume, appuyez sur **^** ou **v**.

- Si vous avez sélectionné **SYSTEM** à la section « Réglage de la sortie du son (VOLUME CONTROL) » (page 12), le volume du système Vehiclehub Pro VPA-B222 en option peut être réglé au moyen de cet appareil.

Changement de la source

1 Appuyez sur **SOURCE**.

L'écran de sélection de la source s'affiche.

2 Appuyez sur la source de votre choix.

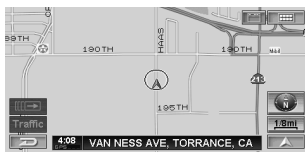
L'écran de la source principale s'affiche.

Exemple d'affichage pour l'écran de sélection de la source



1 **Nav. (Navigation)**

L'écran de navigation s'affiche. Si un système de navigation Alpine en option est raccordé au TME-M740BT, l'écran de navigation peut être affiché sur cet appareil.



- Pour plus d'informations sur l'utilisation de la navigation, consultez le Mode d'emploi du système de navigation.
- Si NAV. n'est pas affiché sur l'écran de sélection de la source, réglez NAV. MODE sur NAV. en suivant les instructions de la section « Réglage du mode de navigation (NAV. MODE) » (page 12).

2 **MOBILE PHONE**

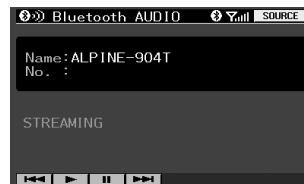
L'écran MOBILE PHONE s'affiche.



- Pour plus de détails, reportez-vous à la section « Téléphone mains libres (en option) » (page 6).

3 **Bluetooth AUDIO**

L'écran de mode Bluetooth AUDIO s'affiche.



- Pour plus de détails, reportez-vous à la section « Utilisation de la fonction Bluetooth Audio » (page 9).

4 **AUX**

L'écran de l'entrée externe s'affiche.



Exemple d'écran : EXT. DVD

- Le nom attribué à la source à la section « Réglage du nom de l'entrée externe (AUX NAME) » à la page 12 s'affiche.
- Pour plus de détails, reportez-vous à la section « Utilisation du lecteur DVD vidéo (en option) » (page 5).
- Pour plus de détails, reportez-vous à la section « Utilisation du téléviseur (en option) » (page 6).

5 **SETUP**

L'écran de sélection SETUP s'affiche.



- Pour plus de détails, reportez-vous à la section « Écran de configuration (SETUP) » (page 10).

Utilisation d'un appareil auxiliaire

Si un appareil ALPINE est raccordé à la borne AUX, celui-ci peut être commandé à partir de l'unité. La section suivante explique comment utiliser ces appareils.

Utilisation du lecteur DVD vidéo (en option)

Le lecteur DVD vidéo en option

(DVA-5210/DVE-5207/DHA-S680) doit être raccordé.

Lorsque EXT. DVD est sélectionné à la section « Réglage du nom de l'entrée externe (AUX NAME) » (page 12), la source s'affiche dans l'écran de sélection SOURCE.

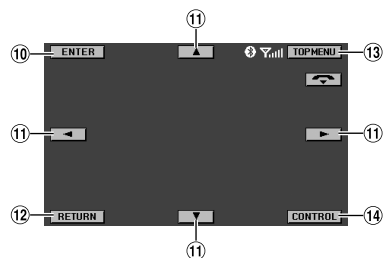
Appuyez sur le panneau d'affichage pour afficher l'écran d'opération.

- 5 secondes après avoir effectué une opération, l'écran d'opération bascule sur l'écran visuel en mode DVD. Appuyez sur le panneau d'affichage pour afficher à nouveau l'écran d'opération.



- 1 Cette touche vous permet d'aller au début d'une piste ou d'un chapitre. Pour effectuer une recherche rapide vers l'arrière, maintenez cette touche enfoncée.
- 2 Cette touche permet de démarrer et d'interrompre la lecture (pause).
- 3 Cette touche vous permet d'aller au début d'une piste ou d'un chapitre. Pour effectuer une recherche rapide vers l'avant, maintenez cette touche enfoncée.
- 4 PRE- STOP/STOP
- 5 **DISC**
Cette touche vous permet de changer de disque (modèle DHA-S680 uniquement)
- 6 **DISC**
Cette touche vous permet de changer de disque (modèle DHA-S680 uniquement)
- 7 Cette touche permet d'afficher l'écran d'opération du menu DVD.
- 8 **SOURCE**
Cette touche permet d'afficher l'écran de sélection de la source.
- 9 Cette touche vous permet de raccrocher le téléphone. Cette indication s'affiche uniquement lors d'un appel.

Fonctionnement du menu DVD



- 10 **ENTER**
Cette touche permet de valider l'élément sélectionné.
 - 11 Cette touche permet de déplacer un élément affiché à l'écran.
 - 12 **RETURN**
Cette touche permet de revenir à l'écran précédent.
 - 13 **TOP MENU**
Cette touche permet d'afficher le menu principal du DVD.
 - 14 **CONTROL**
Cette touche permet d'afficher l'écran d'opération principal.
- L'opération peut varier selon l'appareil raccordé. Reportez-vous au mode d'emploi de l'appareil raccordé.

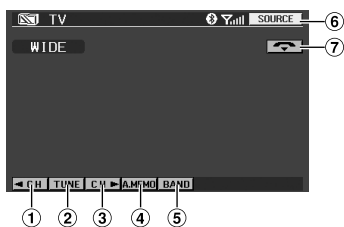
Utilisation du téléviseur (en option)


Le TUE-T151 en option doit être raccordé.

Lorsque TV est sélectionné à la section « Réglage du nom de l'entrée externe (AUX NAME) » (page 12), la source s'affiche dans l'écran de sélection SOURCE.

Appuyez sur le panneau d'affichage pour afficher l'écran d'opération.

- 5 secondes après avoir effectué une opération, l'écran d'opération bascule sur l'écran visuel en mode TV. Appuyez sur le panneau d'affichage pour afficher à nouveau l'écran d'opération.



- ① **◀ CH**
Cette touche permet de parcourir un à un les canaux précédents.
◀ P. DN
Cette touche permet de parcourir un à un les canaux mémorisés précédents.
 - ② **TUNE**
Cette touche permet de changer le mode de syntonisation (mode manuel, mode de recherche automatique et numéro pré-réglé).
 - ③ **CH ▶**
Cette touche permet de parcourir un à un les canaux suivants.
P. UP ▶
Cette touche permet de parcourir un à un les canaux mémorisés suivants.
 - ④ **A. MEMO**
Cette touche permet de mémoriser automatiquement.
 - ⑤ **BAND**
Cette touche permet de modifier la bande de fréquences.
 - ⑥ **SOURCE**
Cette touche permet d'afficher l'écran de sélection de la source.
 - ⑦ 
Cette touche vous permet de raccrocher le téléphone.
Cette indication s'affiche uniquement lors d'un appel.
- L'opération peut varier selon l'appareil raccordé. Reportez-vous au mode d'emploi de l'appareil raccordé.

Téléphone mains libres (en option)

À propos du téléphone mains libres

Cet appareil est compatible avec la technologie de communication internationale sans fil Bluetooth®. Vous pouvez passer un appel mains libres* à l'aide d'un téléphone portable compatible Bluetooth.

* Pour passer un appel mains libres, votre téléphone portable doit être conforme au profil HFP (profil mains libres).

- Évitez d'effectuer des appels mains libres dans une ville où le trafic est dense ou dans une rue étroite.
- Lorsque vous effectuez un appel, parlez clairement et à voix haute.
- Fermez les fenêtres du véhicule avant d'effectuer l'appel.
- Si les deux personnes utilisent un téléphone mains libres ou réalisent un appel dans un endroit bruyant, il est possible que vous ayez du mal à entendre la voix de l'autre personne ou à ce que l'autre personne vous entende.
- Certaines voix peuvent paraître artificielles selon la personne qui utilise le téléphone ou selon l'état de la ligne téléphonique.
- Selon votre téléphone portable, il est possible que vous ne puissiez pas effectuer d'appels mains libres.

Raccordement d'un téléphone portable

Si vous raccordez un téléphone portable pour la première fois, vous devez enregistrer celui-ci. Pour cela, procédez comme suit.

Enregistrement

Réglage Bluetooth

Reportez-vous à la section « Réglage de la connexion Bluetooth (Bluetooth) » (page 12).
Reportez-vous à la section « Envoi des informations sur le nom de l'appareil (VISIBLE MODE) » (page 13).



Recherche d'un téléphone portable

Reportez-vous à la section « Recherche d'un périphérique Bluetooth compatible (recherche Bluetooth) (SEARCH DEVICE) » (page 12).



Sélection d'un téléphone portable

Appuyez sur la touche [PAIR] du téléphone portable pour l'enregistrer.



Saisie d'un code

Saisissez un code de 4 à 10 chiffres.
* Lors de la saisie du code, entrez le numéro dans les 30 secondes pour plus de sécurité.



Saisissez un code sur le téléphone portable.

Saisissez le même code (4 à 10 chiffres) que celui de l'appareil.
* Lors de la saisie du code, entrez le numéro dans les 30 secondes pour plus de sécurité.



L'enregistrement est terminé.

Connexion

Connexion d'un téléphone portable

Reportez-vous à la section « Réglage du périphérique Bluetooth enregistré (PAIRED DEVICE) » (page 12).



Sélection d'un téléphone portable

Appuyez sur la touche [CONNECT] du téléphone portable pour l'enregistrer.



La connexion est établie.

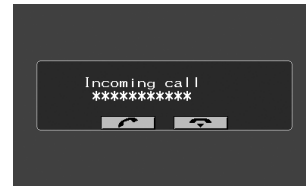
- Le réglage Bluetooth est nécessaire pour le téléphone portable. Reportez-vous au mode d'emploi du téléphone portable.
- Pour saisir le code d'un téléphone portable, reportez-vous au mode d'emploi du téléphone portable.
- Effectuez les opérations en suivant l'écran du téléphone portable jusqu'à ce que la connexion soit terminée.

- Si ON est sélectionné à la section « Réglage d'une connexion automatique (AUTO CONNECT) » (page 13), la connexion automatique du téléphone portable précédemment raccordé démarre dès la mise sous tension.
- Si vous avez déjà enregistré un téléphone portable sur l'appareil, sélectionnez le téléphone portable de votre choix dans la liste d'enregistrement de l'appareil. Reportez-vous à la section « Réglage du périphérique Bluetooth enregistré (PAIRED DEVICE) » (page 12).

Pour recevoir un appel

Lorsqu'un appel est reçu, une tonalité est émise et l'appel reçu est annoncé à l'écran.

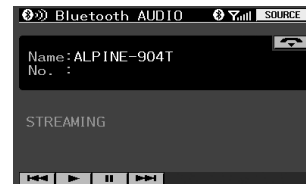
Appuyez sur [📞].
L'appel démarre.



- Si ON est sélectionné à la section « Réception automatique d'un appel entrant (AUTO ANSWER) » (page 13), l'appel entrant est automatiquement pris 5 secondes après avoir été reçu.
- Vous pouvez si vous le souhaitez afficher le plein écran lors de l'appel. Pour plus de détails, reportez-vous à la section « Réglage de l'écran à afficher lors d'un appel (CALLING DISPLAY) » (page 10).

Pour raccrocher

Appuyez sur [📞].
L'appel est terminé.

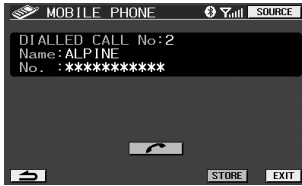


Pour effectuer un appel

- 1 Appuyez sur [MOBILE PHONE] dans l'écran SOURCE SELECT.
L'écran MOBILE PHONE s'affiche.
- 2 Sélectionnez la méthode de votre choix.



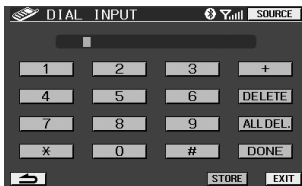
- 3 Appuyez sur [📞].
Le téléphone effectue un appel.



- Si vous composez un numéro de téléphone et effectuez un appel, cet écran n'est pas affiché.
- Si vous appuyez sur [STORE], vous pouvez enregistrer dans SPEED DIAL.
- Selon le téléphone portable, il est possible que certaines fonctions ne soient pas disponibles.

Pour effectuer un appel en composant le numéro de téléphone (DIAL INPUT)

Composez le numéro du destinataire en commençant par le code de la région ou du pays, puis appuyez sur [DONE].

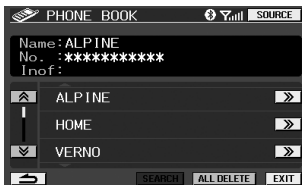


- Pour supprimer les caractères un par un, appuyez sur [DELETE]. Pour supprimer tous les caractères, appuyez sur [ALL DEL.].
- Si vous appuyez sur [STORE], vous pouvez enregistrer dans SPEED DIAL.

Pour effectuer un appel à l'aide de l'agenda (PHONE BOOK)

Vous pouvez sélectionner une personne et effectuer un appel à l'aide de l'agenda de votre téléphone portable que vous pouvez télécharger sur l'appareil.

Appuyez sur [➤] de la personne que vous souhaitez appeler.



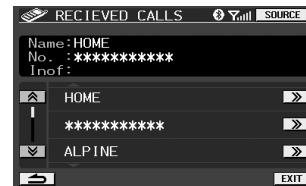
- Pour changer de page dans la liste, appuyez sur [↶] ou [↷].
- Pour supprimer toutes les entrées de l'agenda, appuyez sur [ALL DELETE].
- Si vous connectez un téléphone mobile à un autre, les listes des appels reçus, des appels émis et des appels manqués, précédemment enregistrées dans l'appareil connecté, sont automatiquement supprimées.

Pour effectuer un appel à l'aide des listes d'appels (RECEIVED CALLS/DIALED CALLS/MISSED CALLS)

Vous pouvez effectuer un appel en sélectionnant une personne dans la liste des appels reçus, des appels émis ou des appels manqués.

- RECEIVED : liste des numéros de téléphone des appels reçus.
- CALLS :
- DIALED CALLS : liste des numéros de téléphone que vous avez composés.
- MISSED CALLS : liste des numéros de téléphone des appels reçus, mais auxquels vous n'avez pas répondu.

Appuyez sur [➤] de la personne que vous souhaitez appeler.



- Pour changer de page dans la liste, appuyez sur [↶] ou [↷].
- 20 numéros maximum peuvent être stockés dans chaque liste d'appels. Si une liste d'appels comporte plus de 20 numéros, les numéros les plus anciens seront supprimés.
- Si vous connectez un téléphone mobile à un autre, les listes des appels reçus, des appels émis et des appels manqués, précédemment enregistrées dans l'appareil connecté, sont automatiquement supprimées.

Pour effectuer un appel à l'aide de la fonction d'appel rapide (QUICK CALLS)

Vous pouvez rappeler rapidement un numéro de téléphone que vous avez déjà composé ou reçu.

- 1 Appuyez sur [DIALED] ou [RECEIVED] dans QUICK CALLS de l'écran SOURCE SELECT.



- 2 Appuyez sur [📞].
L'appel est effectué.



- Si vous appuyez sur [STORE], vous pouvez enregistrer dans SPEED DIAL.

Pour effectuer un appel à l'aide de la fonction de numérotation rapide (SPEED DIAL)

Cette fonction vous permet d'enregistrer jusqu'à 9 numéros de téléphone (ceux que vous composez le plus souvent).

- 1 Appuyez sur le numéro que vous souhaitez appeler à l'aide de la fonction SPEED DIAL sur l'écran SOURCE SELECT.



- Pour faire défiler les numéros, appuyez sur [◀] ou [▶].

- 2 Appuyez sur [MOBILE PHONE]. L'appel est effectué.



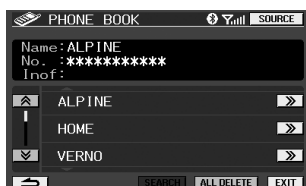
Enregistrement d'un agenda

Vous pouvez effectuer en appel en transférant l'agenda de votre téléphone portable sur l'appareil.

- 1 Envoyez les données de l'agenda du téléphone portable au TME-T740BT.

Une fois les données envoyées, un message de confirmation d'envoi des données s'affiche.

- 2 Appuyez sur [STORE]. L'écran de l'agenda s'affiche.



- Pour plus d'informations sur la méthode d'envoi des données de l'agenda, reportez-vous au mode d'emploi du téléphone portable.
- Le nombre maximal de numéros pouvant être enregistrés dans l'agenda de l'appareil est de 205.
- Selon le téléphone portable, si vous appuyez sur [SEARCH] sur l'écran de l'agenda téléphonique, l'agenda du téléphone portable s'affiche automatiquement sur l'appareil.
- Si vous souhaitez remplacer un agenda, appuyez sur [ALL DELETE], supprimez l'agenda existant, puis enregistrez à nouveau l'agenda.
- Pour effectuer un appel à partir de l'agenda, reportez-vous à la section « Pour effectuer un appel à l'aide de l'agenda (PHONE BOOK) » (page 8).

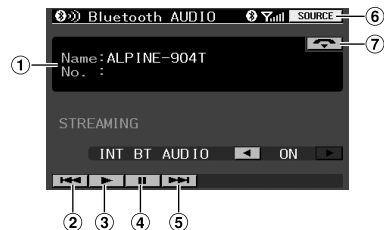
Fonction Bluetooth Audio (en option)

Utilisation de la fonction Bluetooth Audio

Les informations audio d'un téléphone portable ou d'un lecteur portable compatible Bluetooth peuvent être commandées et affichées* à partir de cet appareil.

Reportez-vous à la section « Raccordement d'un téléphone portable » (page 7) pour raccorder des appareils Bluetooth Audio.

* Pour lire des fichiers audio, un téléphone portable ou un lecteur portable conforme au profil A2DP (profil de distribution audio avancé) est nécessaire. La lecture de fichiers vidéo n'est pas prise en charge.



- 1 Affiche le nom de l'appareil.
- 2 ◀◀ Cette touche permet de rechercher le début de la piste actuelle.
- 3 ▶ Lecture
- 4 || Pause
- 5 ▶▶ Cette touche permet de rechercher le début de la piste suivante.
- 6 SOURCE Cette touche permet d'afficher l'écran de sélection de la source.
- 7 ☎ Cette touche permet de couper une communication téléphonique. Ce témoin est affiché lors d'un appel.

Réglage de l'interruption de sortie de la fonction Bluetooth Audio (INT BT AUDIO)

Ce réglage s'effectue lorsque le son des appareils Bluetooth Audio est reproduit depuis un appareil externe (unité principale ou moniteur arrière compatible Ai-NET, etc.).

- 1 Appuyez sur [◀] ou [▶] sous INT BT AUDIO pour activer ou désactiver ce réglage.

ON / OFF (réglage initial)

- ON: sélectionnez ON lorsque le son de l'appareil Bluetooth Audio est reproduit à partir d'un connecteur de sortie audio (AUX OUT) via Ai-NET sur l'unité principale compatible Ai-NET (DVA-9861, etc.).
- OFF: sélectionnez OFF lorsque le son de l'appareil Bluetooth Audio est reproduit à partir du connecteur de sortie audio (AUX OUT) sur le moniteur arrière.

- Si le son est interrompu par un appel du téléphone mains libres ou par un message vocal du système de navigation, l'appel téléphonique ou le message vocal sont prioritaires.
- Le réglage « INT BT AUDIO » ne peut être effectué que lorsque l'écran Bluetooth audio est affiché. Si vous basculez sur une autre source, ce réglage ne peut pas être effectué.

Écran de configuration (SETUP)

Vous pouvez personnaliser l'appareil selon vos préférences et la fréquence d'utilisation.

Suivez les étapes 1 à 4 pour sélectionner un des modes de configuration à modifier. Pour plus de détails sur l'élément de configuration sélectionné, reportez-vous à la section suivante.

- 1 Appuyez sur la touche [SETUP] de l'écran de sélection de la source.
L'écran de sélection SETUP s'affiche.
- 2 Appuyez sur l'élément de configuration votre choix.



DISPLAY

DIMMER/DIMMER HIGH/DIMMER LOW/CALLING DISPLAY/ DISPLAY MODE/SCREEN ALIGNMENT/VISUAL EQ

GENERAL

BEEP/LED BRIGHTNESS/VOLUME CONTROL

SYSTEM

INT MUTE/AUX NAME/NAV. MODE/CAMERA INT

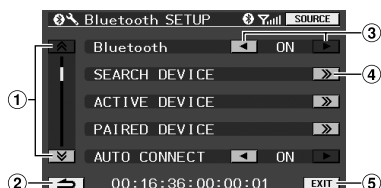
Bluetooth

Bluetooth/ SEARCH DEVICE/ACTIVE DEVICE/PAIRED DEVICE/ AUTO CONNECT/VISIABLE MODE/AUTO ANSWER/REFUSED CALL/PHONEBOOK/MIC GAIN

REAR SELECT

REAR SELECT

- 3 Appuyez sur [<<<] ou [>>>], etc., sous l'élément souhaité pour modifier son réglage.



- 1 Ces touches permettent de changer de page.
- 2 Cette touche permet de revenir à l'affichage précédent.
- 3 Cette touche permet de modifier l'élément de configuration.
- 4 Cette touche permet d'afficher l'écran de configuration détaillé.
- 5 Cette touche permet de quitter l'écran de configuration.

- 4 Appuyez sur [EXIT].

10-FR

Opération de configuration de l'affichage

Réglage de la luminosité du rétroéclairage (DIMMER)

HIGH / LOW / AUTO (réglage initial)

Le rétroéclairage est assuré par une lampe fluorescente intégrée dans l'écran à cristaux liquides. La commande de réglage de l'éclairage détermine la luminosité du rétroéclairage en fonction de la luminosité de l'habitacle afin de faciliter la visualisation.

HIGH : la luminosité de l'écran est la même que celle réglée dans DIMMER HIGH à la section « Réglage du niveau de rétroéclairage maximum (DIMMER HIGH) » (page 10).

LOW : la luminosité de l'écran est la même que celle réglée dans DIMMER LOW à la section « Réglage du niveau de rétroéclairage minimum (DIMMER LOW) » (page 10).

AUTO : adapte automatiquement la luminosité du rétroéclairage du moniteur en fonction de la luminosité interne du véhicule.

Réglage du niveau de rétroéclairage maximum (DIMMER HIGH)

MIN(16) à MAX(31) (réglage initial : MIN)

Si vous sélectionnez HIGH à la section « Réglage de la luminosité du rétroéclairage (DIMMER) » (page 10), vous pouvez régler la luminosité du rétroéclairage. Cette fonction peut être utilisée, par exemple, pour modifier la luminosité de l'écran lorsque vous voyagez de nuit.

Réglage du niveau de rétroéclairage minimum (DIMMER LOW)

MIN(0) à MAX(15) (réglage initial : MIN)

Si vous sélectionnez LOW à la section « Réglage de la luminosité du rétroéclairage (DIMMER) » (page 10), vous pouvez régler la luminosité du rétroéclairage. Cette fonction peut être utilisée, par exemple, pour modifier la luminosité de l'écran lorsque vous voyagez de nuit.

Réglage de l'écran à afficher lors d'un appel (CALLING DISPLAY)

TEL.(réglage initial) / MAIN

Lors d'un appel avec un téléphone mains libre, vous pouvez afficher soit l'écran du téléphone, soit l'écran du système de navigation.

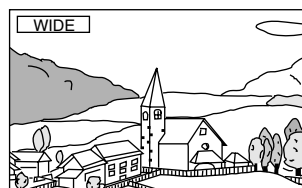
TEL. : affiche l'écran du téléphone.

MAIN : affiche l'écran de la source actuelle (navigation, etc.).

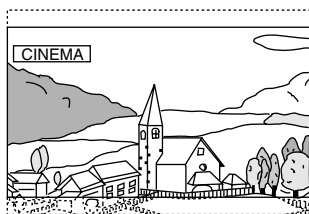
DISPLAY MODE

WIDE (réglage initial) / CINEMA / NORMAL

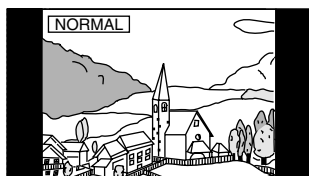
WIDE : le moniteur agrandit une image normale à la taille d'un moniteur à écran large en étirant uniformément l'image à l'horizontale.



CINEMA : le moniteur agrandit une image normale en étirant celle-ci verticalement. Ce mode convient bien pour afficher une image de type cinéma au format 16:9.



NORMAL : le moniteur affiche une image normale au centre de l'écran accompagnée d'une bande noire verticale de part et d'autre.



Réglage du panneau tactile (SCREEN ALIGNMENT)

◀ (RESET) / ▶▶ (SETUP)

Un réglage est nécessaire lorsque la position de l'affichage sur l'écran LCD et la position des touches du panneau tactile ne correspondent pas.

- 1 Appuyez sur [▶▶] sous SCREEN ALIGNMENT. L'écran de réglage s'affiche.
- 2 Appuyez précisément sur la marque [▶] dans le coin inférieur gauche de l'écran. L'écran bascule sur l'écran de réglage.
- 3 Appuyez précisément sur la marque [✕] dans le coin supérieur droit de l'écran. Le réglage est terminé et l'écran du mode de réglage DISPLAY s'affiche à nouveau.

• Si le réglage est annulé à mi-course, appuyez sur SOURCE.

Réglage de l'égaliseur visuel (VISUAL EQ™)

① BRIGHT

MIN(-15) à MAX(+15) (réglage initial : 0)

② COLOR

MIN(-15) à MAX(+15) (réglage initial : 0)

③ TINT

G MAX(G15) à R MAX(R15) (réglage initial : 0)

④ CONTRAST

MIN(-15) à MAX(+15) (réglage initial : 0)

⑤ SHARP

MIN(-15) à MAX(+15) (réglage initial : 0)

⑥ Mode VISUAL EQ

OFF (réglage initial) / NIGHT M / SOFT / SHARP / CONTRAST / P-1 / P-2

OFF : réglage initial

NIGHT M : convient aux films contenant de nombreuses scènes tournées dans l'obscurité.

SOFT : convient aux CG et aux films d'animation.

SHARP : convient aux films anciens dont les images ne sont pas très nettes.

CONTRAST : convient aux films récents.

P-1 : rappelle le mode VISUAL EQ mémorisé sur le numéro préréglé P-1 sous « ⑦ USER MEMORY » (page 12).

P-2 : rappelle le mode VISUAL EQ enregistré sur le numéro préréglé P-2 sous « ⑦ USER MEMORY » (page 12).

⑦ USER MEMORY

P-1 (réglage initial) / P-2

Vous pouvez mémoriser les réglages effectués pour « ① BRIGHT, ② COLOR, ③ TINT, ④ CONTRAST et ⑤ SHARP ».

Après avoir réglé ① BRIGHT, ② COLOR, ③ TINT, ④ CONTRAST et ⑤ SHARP, sélectionnez le numéro préréglé (P-1) ou (P-2), puis mémorisez-le en appuyant sur [WRITE].

• Vous pouvez rappeler le mode VISUAL EQ mémorisé ici à partir de P-1 ou P-2 de la section « ⑥ Mode VISUAL EQ » (page 12).

Configuration générale

Fonction de guidage sonore (BEEP)

ON (réglage initial) / OFF

ON : active le mode de guidage sonore.

OFF : désactive le mode de guidage sonore. Le signal sonore de guidage ne retentit pas lorsque vous appuyez sur l'une des touches de l'appareil.

Réglage de la luminosité de l'écran DEL (LED BRIGHTNESS)

HIGH / NORMAL (réglage initial) / LOW / OFF

Vous pouvez régler la luminosité de l'écran DEL (témoin POWER, etc.).

HIGH : l'écran DEL est plus lumineux.

NORMAL : la luminosité de l'écran DEL est normale.

LOW : l'écran DEL est plus sombre.

OFF : permet d'éteindre l'écran DEL.

Réglage de la sortie du son (VOLUME CONTROL)

MONITOR (réglage initial) / SYSTEM

Si l'appareil est raccordé au système Vehiclehub Pro (VPA-B222), sélectionnez ON.

MONITOR : le son est reproduit dans les enceintes intégrées.

SYSTEM : le volume peut être réglé à partir de cet appareil si des appareils compatibles sont raccordés au VPA-B222.

Configuration système

Réglage de l'interruption du téléphone mains libres (INT MUTE)

ON (réglage initial) / OFF

Vous pouvez faire en sorte qu'un appel mains libres interrompt l'appareil (DVA-9861, etc.).

ON : l'appel entrant ou sortant interrompt l'appareil. Le son de l'appareil est alors mis en sourdine.

OFF : l'appel entrant ou sortant n'interrompt pas l'appareil.

- Les appareils raccordés avec le câble IN-INT doivent être connectés à l'aide du câble OUT-INT de l'appareil.
- * Pour activer la fonction d'interruption vocale du téléphone portable (et pour ainsi couper le son de l'appareil), effectuez en même temps le réglage suivant. Si ces réglages ne sont pas effectués, le son de l'appareil ne peut pas être interrompu. Sélectionnez ON à la section « Rendre effective la communication refusée (REFUSED CALL) » (page 13) et Bluetooth AUDIO à la section « Réglage du mode REAR SELECT » (page 13).

Réglage du nom de l'entrée externe (AUX NAME)

OFF / TV / DVD HU / EXT. DVD / GAME / AUX (réglage initial)

Dans la liste suivante, sélectionnez le nom à utiliser pour le produit à l'aide du mode d'entrée externe. Ce réglage sera appliqué au nom de la touche tactile au moment de la sélection de la source et au nom de la source lors du changement du mode de lecture.

Réglage du mode de navigation (NAV. MODE)

NAV. (réglage initial) / EXT. / OFF

OFF : la source Navigation n'est pas affichée. Les réglages relatifs à la navigation ne peuvent pas être modifiés à partir de cet appareil.

NAV. : la source Navigation est affichée.

EXT. : le nom de la source est affiché comme suit : Vehicle Hub.

Réglage de la caméra arrière (CAMERA INT)

ON (réglage initial) / OFF

Lorsque la caméra arrière est connectée, des images arrière sont reproduites sur l'écran.

OFF : la source CAMERA ne s'affiche pas sur l'écran de sélection SOURCE.

ON : même si le levier de changement de vitesses ne se trouve pas sur la position de marche arrière (R), les images arrière peuvent être reproduites en sélectionnant la source CAMERA.

- Lorsque vous passez en position de marche arrière (R), les images arrière sont reproduites en conséquence. Cette fonction n'est effective que si le fil de marche arrière est connecté.

Configuration de la fonction Bluetooth

Réglage de la connexion Bluetooth (Bluetooth)

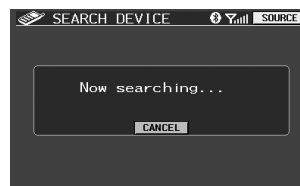
ON (réglage initial) / OFF

Ce réglage est effectué lorsqu'un téléphone mains libres ou la fonction Bluetooth Audio est utilisé. Veuillez à sélectionner ON.

ON : la fonction Bluetooth peut être utilisée.

OFF : la fonction Bluetooth ne peut pas être utilisée.

Recherche d'un périphérique Bluetooth compatible (recherche Bluetooth) (SEARCH DEVICE)



- Si vous appuyez sur [CANCEL], la recherche d'un périphérique Bluetooth s'arrête.
- Une fois la recherche terminée, une liste de sélection d'un appareil s'affiche. Si vous appuyez sur [PAIR] du périphérique Bluetooth à raccorder, l'écran de saisie du code s'affiche. Le code devant être saisi à l'écran doit être le même que celui de l'appareil et du périphérique Bluetooth. Reportez-vous à la section « Raccordement d'un téléphone portable » (page 7).

Lecture des informations sur le périphérique Bluetooth (ACTIVE DEVICE)

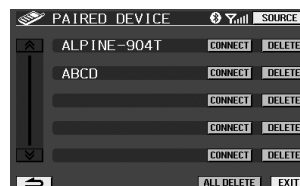
Vous pouvez afficher les informations d'un périphérique Bluetooth raccordé.



- Si vous connectez un téléphone mobile à un autre, n'oubliez pas d'appuyer sur [DISCONNECT] et d'annuler le téléphone mobile actuellement connecté.

Réglage du périphérique Bluetooth enregistré (PAIRED DEVICE)

Précédemment, jusqu'à 8 téléphones portables connectés à l'appareil ont été enregistrés. Sélectionnez celui que vous souhaitez utiliser.



- Si vous appuyez sur [CONNECT], le périphérique Bluetooth est connecté.
- Si vous appuyez sur [DELETE], le périphérique Bluetooth est supprimé. Pour supprimer tous les périphériques Bluetooth, appuyez sur [ALL DELETE].
- Si un périphérique Bluetooth non enregistré dans la liste est raccordé, effectuez la recherche en appuyant sur [SEARCH].

Réglage d'une connexion automatique (AUTO CONNECT)

ON (réglage initial) / OFF

Que le téléphone portable précédemment connecté soit automatiquement reconnu ou non, ce réglage peut être effectué.

ON : le téléphone portable précédemment connecté sera automatiquement connecté.

OFF : sélectionnez un téléphone portable en utilisant [SEARCH DEVICE].

- Selon le téléphone mobile, ce réglage peut être requis. Reportez-vous au Mode d'emploi du téléphone mobile.

Envoi des informations sur le nom de l'appareil (VISIBLE MODE)

ON (réglage initial) / OFF

Que les informations sur le nom de l'appareil soient ou non envoyées au périphérique Bluetooth (téléphone portable, etc.), ce réglage peut être effectué.

ON : Les informations sur le nom de l'appareil (TME-M740BT) sont envoyées au périphérique Bluetooth.


OFF : Les informations sur le nom de l'appareil ne sont pas envoyées au périphérique Bluetooth.

Réception automatique d'un appel entrant (AUTO ANSWER)

ON / OFF (réglage initial)

Que l'appel soit automatiquement reçu ou non lors d'un appel entrant, ce réglage peut être effectué.

ON : Lorsque vous recevez un appel, vous pouvez le prendre automatiquement après environ 5 secondes.

OFF : Lorsque vous recevez un appel, celui-ci ne sera pas pris automatiquement. Pour prendre l'appel, appuyez sur [].

Rendre effective la communication refusée (REFUSED CALL)

ON / OFF (réglage initial)

Si vous ne souhaitez pas prendre un appel entrant lorsque vous conduisez, vous pouvez faire en sorte de ne pas recevoir cet appel à l'aide du téléphone mains libres.

ON : lorsque vous recevez un appel, rien de s'affiche à l'écran et vous ne pouvez ni recevoir l'appel avec le téléphone mains libres, ni le recevoir automatiquement.

OFF : vous pouvez recevoir un appel à l'aide du téléphone mains libres.

- Si vous réglez « REFUSED CALL » sur ON lorsque vous recevez un appel, vous pouvez toujours recevoir l'appel d'un téléphone portable.

Configuration de l'agenda à utiliser (PHONEBOOK)

UNIT (réglage initial) / CARD

Vous pouvez télécharger l'agenda de votre téléphone portable ou de votre carte SIM sur l'appareil.

UNIT : l'agenda du téléphone portable est utilisé.

CARD : l'agenda de la carte SIM (ou autre) est utilisé.

Réglage du volume d'un appel (MIC GAIN)

MIN(1) à MAX(7) (réglage initial : 5)

Le volume d'un appel peut être réglé sur l'un des 7 niveaux proposés.

Réglage du mode REAR SELECT

Fonction de sélection du moniteur arrière

AUX* (réglage initial) / Bluetooth AUDIO / OFF

Si un autre moniteur (arrière) est raccordé à l'appareil, l'image et le son du moniteur arrière peuvent être modifiés à partir de l'appareil afin que les passagers à l'arrière puissent reproduire des fichiers audio et vidéo différents.

- * Le nom donné comme nom de la source à la section « Réglage du nom de l'entrée externe (AUX NAME) » à la page 12 s'affiche. Vous ne pouvez pas commander à partir du moniteur arrière.

Réglage de la sortie de l'interruption du guidage vocal du système de navigation (INT NAV. GUIDE)

ON / OFF (réglage initial)

Lorsqu'un signal de guidage vocal est envoyé à la sortie arrière (AUX OUT), vous pouvez envoyer l'interruption du guidage vocal à la sortie arrière.

ON : lorsque vous sélectionnez une valeur autre que OFF à la section « Réglage du mode REAR SELECT », l'interruption du guidage vocal sera envoyée à la sortie arrière (AUX OUT).

OFF : l'interruption du guidage vocal ne peut pas être envoyée à la sortie arrière (AUX OUT), quel que soit le réglage sélectionné à la section « Réglage du mode REAR SELECT ».

- Lorsque vous sélectionnez OFF à la section « Réglage du mode REAR SELECT », l'interruption du guidage vocal ne sera pas envoyée à la sortie arrière (AUX OUT), même si INT NAV. GUIDE est réglé sur ON.
- Si un appel d'un téléphone mains libres et le guidage vocal se produisent simultanément, l'appel est prioritaire.

Informations

En cas de problème

En cas de problème, mettez l'appareil hors tension, puis à nouveau sous tension. Si l'appareil ne fonctionne toujours pas normalement, vérifiez les éléments de la liste ci-dessous. Ce guide peut vous aider à identifier un problème lorsque l'appareil présente une anomalie. Si le problème persiste, assurez-vous que le reste du système est correctement raccordé, puis consultez votre revendeur Alpine agréé.

Généralités

Absence de fonctionnement ou d'affichage.

- Le contact du véhicule est coupé.
 - Même si l'appareil est raccordé conformément aux instructions, il ne fonctionne pas si le contact du véhicule est coupé.
- Mauvaise connexion du fil d'alimentation
 - Vérifiez les connexions du fil d'alimentation.
- Fusible grillé.
 - Vérifiez le fusible du fil de la batterie de l'appareil et si nécessaire, remplacez-le par un fusible d'ampérage approprié.

Son absent ou anormal.

- Les connexions ne sont pas établies correctement ou en toute sécurité.
 - Vérifiez les connexions et raccordez-les correctement.

L'écran ne s'affiche pas.

- La commande de la luminosité est réglée au minimum.
 - Réglez la commande de luminosité.
- La température à l'intérieur du véhicule est basse.
 - Augmentez la température intérieure du véhicule jusqu'à ce qu'elle atteigne la plage des températures de fonctionnement.
- Les connexions au DVD ou système de navigation ne sont pas établies en toute sécurité.
 - Vérifiez les connexions et raccordez-les correctement.

Affichage brouillé ou parasité.

- La plaque fluorescente est usée.
 - Remplacez la plaque fluorescente.

Absence de fonctionnement du système de navigation.

- Le système de navigation n'est pas correctement raccordé.
 - Vérifiez les connexions au système de navigation et raccordez les câbles correctement.

L'affichage de l'image n'est pas net.

- Le tube fluorescent est usé.
 - Remplacez le tube fluorescent*.

* Le tube fluorescent ne peut pas être remplacé gratuitement, même pendant la période de garantie, car il s'agit d'un consommable.

L'appareil ne fonctionne pas.

- Le moniteur n'est pas sous tension.
 - Mettez le moniteur sous tension.

Absence d'image.

- Le moniteur n'est pas réglé sur le mode approprié.
 - Réglez-le sur le mode souhaité.
- Le fil du frein à main du moniteur n'est pas connecté.
 - Connectez le fil du frein à main du moniteur, puis actionnez le frein à main.
(Pour plus d'informations, consultez les instructions relatives au moniteur.)

- Le fil du frein à main du moniteur n'est pas correctement réglé.
 - Connectez le fil du frein à main du moniteur, puis actionnez le frein à main.
(Pour plus d'informations, consultez les instructions relatives au moniteur.)

L'image n'est pas nette ou présente des parasites.

- L'alimentation de la batterie du véhicule est faible.
 - Vérifiez l'alimentation et le câblage de la batterie.
(L'appareil peut ne pas fonctionner correctement si la tension de la batterie est inférieure à 11 volts avec une charge appliquée.)
- Le tube fluorescent du moniteur est usé.
 - Remplacez le tube fluorescent du moniteur.

Des points, des pointillés ou des bandes apparaissent à l'écran.

- Ces parasites sont provoqués par des enseignes au néon, des lignes électriques haute tension, des disjoncteurs, les bougies d'allumage du véhicule, etc.
 - Déplacez votre véhicule.

Le téléphone mains libres n'interrompt pas l'appareil.

- L'interruption n'est pas correctement configurée.
 - Réglez INT MUTE sur ON (page 12).
 - Réglez REFUSED CALL sur OFF (page 13).
 - Réglez REAR SELECT sur Bluetooth AUDIO (page 13).
- L'interruption est mal réglée sur l'unité principale.
 - Réglez INT MUTE sur OFF (reportez-vous au Mode d'emploi de l'unité principale).

Caractéristiques techniques

SECTION DU MONITEUR

Taille de l'écran	Type 6,95
Type d'affichage à cristaux liquides	Affichage à cristaux liquides TN de type transparent
Système de fonctionnement	Matrice active TFT
Nombre d'éléments d'image	1 152 000 pièces.
Nombre effectif d'éléments d'image	99,99% ou plus
Système d'illumination	Tube cathodique à froid fluorescent

GENERALITES

Puissance requise	14,4 V CC (11-16 V autorisé)
Poids	(Section du moniteur) 283 g (10 oz)

TAILLE DU CHASSIS (section du moniteur)

Largeur	178 mm
Hauteur	100 mm
Profondeur	36 mm

- En raison des améliorations que nous apportons continuellement à nos produits, les caractéristiques techniques et la conception peuvent être modifiées sans avis préalable.
- L'affichage à cristaux liquides a été fabriqué avec des technologies de construction de très haute précision. Sa résolution effective est supérieure à 99,99%. Cela signifie qu'il est possible que 0,01% des pixels soient toujours allumés ou éteints.

Installation et Raccordements

Avant d'installer ou de raccorder votre appareil, lisez attentivement les pages suivantes ainsi que les pages 2 à 3 de ce manuel pour une meilleure utilisation.

Avertissement

EFFECTUER CORRECTEMENT LES CONNEXIONS.

Il y a risque de blessures ou de dommages à l'appareil.

A UTILISER UNIQUEMENT SUR DES VOITURES A MASSE NEGATIVE DE 12 VOLTS.

(Vérifiez auprès de votre concessionnaire si vous n'en êtes pas certain.) Il y a risque d'incendie, etc.

AVANT TOUTE CONNEXION, DEBRANCHER LE CABLE DE LA BORNE NEGATIVE DE LA BATTERIE.

Il y a risque de choc électrique ou de blessure par courts-circuits.

NE PAS COINCER LES CABLES AVEC DES OBJETS VOISINS.

Positionner les câbles conformément au manuel de manière à éviter toute obstruction en cours de conduite. Les câbles qui obstruent ou dépassent à des endroits tels que le volant, le levier de changement de vitesses, la pédale de frein, etc., peuvent s'avérer extrêmement dangereux.

NE PAS DENUDER LES CABLES ELECTRIQUES.

Ne jamais enlever la gaine isolante pour alimenter un autre appareil. Il y a risque de dépassement de la capacité de courant et, partant, d'incendie ou de choc électrique.

NE PAS ENDOMMAGER DE CONDUITES NI DE CABLES LORS DU FORAGE DES TROUS.

Lors du forage de trous dans le châssis en vue de l'installation, veiller à ne pas entrer en contact, endommager ni obstruer de conduites, de tuyaux à carburant ou de fils électriques. Le non-respect de cette précaution peut entraîner un incendie.

NE PAS UTILISER DES ECROUS NI DES BOULONS DU CIRCUIT DE FREINAGE OU DE DIRECTION POUR LES CONNEXIONS DE MASSE.

Les boulons et les écrous utilisés pour les circuits de freinage et de direction (ou de tout autre système de sécurité) ou les réservoirs ne peuvent JAMAIS être utilisés pour l'installation ou la liaison à la masse. L'utilisation de ces organes peut désactiver le système de contrôle du véhicule et causer un incendie, etc.

GARDER LES PETITS OBJETS COMME LES PILES HORS DE PORTEE DES ENFANTS.

L'ingestion de tels objets peut entraîner de graves blessures. En cas d'ingestion, consulter immédiatement un médecin.

NE PAS INSTALLER A DES ENDROITS SUSCEPTIBLES D'ENTRAVER LA CONDUITE DU VEHICULE, COMME LE VOLANT OU LE LEVIER DE VITESSES.

La vue vers l'avant pourrait être obstruée ou les mouvements gênés, etc., et provoquer un accident grave.

Attention

FAIRE INSTALLER LE CABLAGE ET L'APPAREIL PAR DES EXPERTS.

Le câblage et l'installation de cet appareil requiert des compétences techniques et de l'expérience. Pour garantir la sécurité, faire procéder à l'installation de cet appareil par le distributeur qui vous l'a vendu.

UTILISER LES ACCESSOIRES SPECIFIES ET LES INSTALLER CORRECTEMENT.

Utiliser uniquement les accessoires spécifiés. L'utilisation d'autres composants que les composants spécifiés peut causer des dommages internes à cet appareil ou son installation risque de ne pas être effectuée correctement. Les pièces utilisées risquent de se desserrer et de provoquer des dommages ou une défaillance de l'appareil.

FAIRE CHEMINER LE CABLAGE DE MANIERE A NE PAS LE COINCER CONTRE UNE ARETE METALLIQUE.

Faire cheminer les câbles à l'écart des pièces mobiles (comme les rails d'un siège) et des arêtes acérées ou pointues. Cela évitera ainsi de coincer et d'endommager les câbles. Si un câble passe dans un orifice métallique, utiliser un passe-cloison en caoutchouc pour éviter que la gaine isolante du câble ne soit endommagée par le rebord métallique de l'orifice.

NE PAS INSTALLER A DES ENDROITS TRES HUMIDES OU POUSSIEREUX.

Eviter d'installer l'appareil à des endroits soumis à une forte humidité ou à de la poussière en excès. La pénétration d'humidité ou de poussière à l'intérieur de cet appareil risque de provoquer une défaillance.

Précautions

- Veillez à débrancher le câble de la borne (-) de la batterie avant d'installer l'TME-M740BT. Les risques de dommages causés par un court-circuit seront réduits.
- Veillez à raccorder les fils codes couleur selon le schéma de connexion. De mauvaises connexions peuvent entraîner un mauvais fonctionnement ou endommager le système électrique du véhicule.
- Lorsque vous raccordez les fils au système électrique de la voiture, faites attention aux composants installés en usine (par ex. microprocesseur). Ne pas essayer d'alimenter l'appareil en le raccordant aux fils de ces appareils. Lorsque vous raccordez l'TME-M740BT au boîtier de fusibles, assurez-vous que le fusible pour le circuit destiné à l'TME-M740BT a le nombre d'ampères approprié, sinon l'appareil et/ou le véhicule risquent d'être endommagés. En cas de doute, consultez votre revendeur Alpine.
- L'TME-M740BT utilise des prises femelles de type RCA pour le raccordement à d'autres appareils (par ex. amplificateur) munis de connecteurs RCA. Vous aurez éventuellement besoin d'un adaptateur pour le relier à d'autres appareils. Le cas échéant, contactez votre revendeur Alpine qui vous conseillera à ce sujet.
- L'écran doit être complètement rentré dans le coffret pendant l'installation, sinon des problèmes peuvent se présenter.

IMPORTANT

Notez le numéro de série de l'appareil dans l'espace prévu ci-dessous et conservez-le en permanence. La plaque de numéro de série est située au fond de l'appareil.

NUMÉRO DE SÉRIE : _____

DATE D'INSTALLATION : _____

INSTALLATEUR : _____

LIEU D'ACHAT : _____

Installation

Liste des accessoires

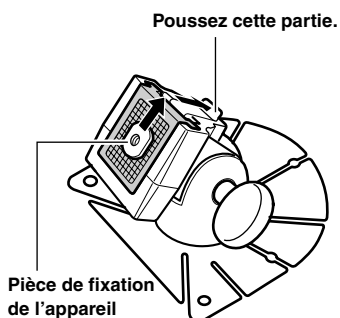
Moniteur	1
Câble d'affichage (2,5 m)/Câble d'alimentation	1
Collier de cordon	3
Socle du moniteur	1
Vis de fixation (M4x12)	3
Chiffon	1
Support de fixation central	1
Support de fixation latéral (G/D)	2
Vis (M5x8)	8
Mode d'emploi	1

Fixation du moniteur et du socle

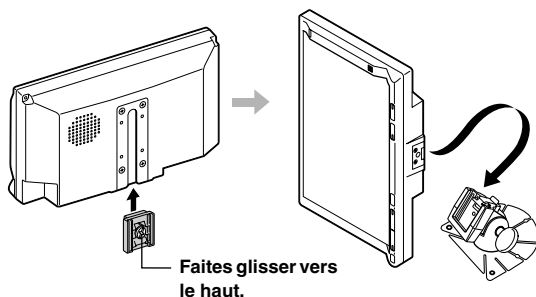


ATTENTION
N'installez pas le moniteur à proximité du système air bag du passager avant.

1 Retirez la pièce de fixation de l'appareil.

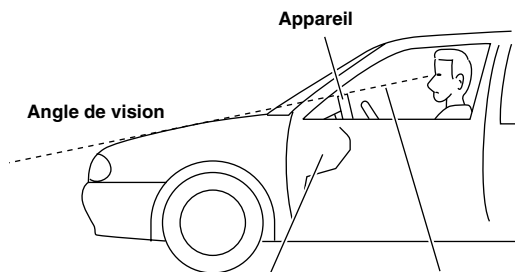
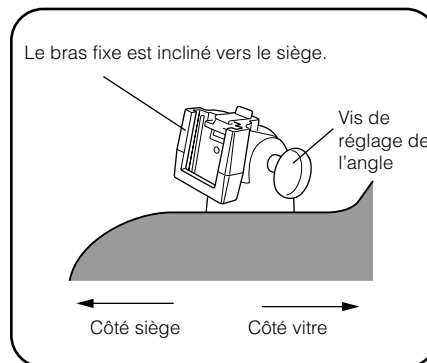


2 Desserrez la pièce de fixation à l'aide d'une pièce de monnaie, faites-la glisser dans les rails situés à l'arrière de l'appareil et resserrez-la momentanément. Fixez-la ensuite sur le socle.



3 Vérifiez la position de fixation.

- ① Fixez temporairement le socle avec de la pâte adhésive.
- ② Desserrez les vis de fixation, puis positionnez le socle de façon à n'entraver aucune manoeuvre.



Si l'appareil envahit votre angle de vision, vous risquez de ne pas avoir une vue correcte depuis le pare-brise.

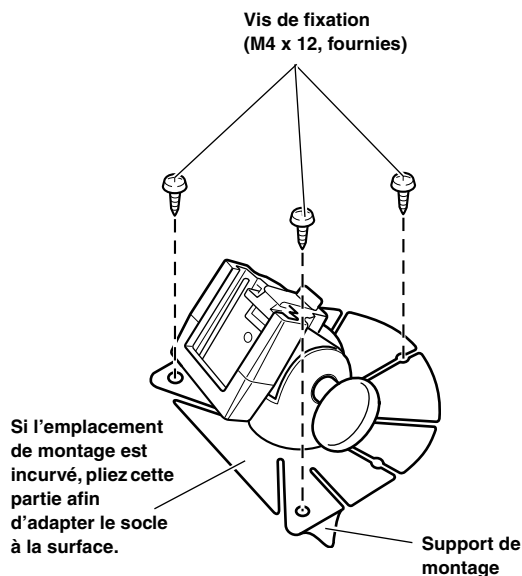
Pour une sécurité optimale, fixez l'appareil dans les endroits suivants.

- Endroits stables et sûrs.
- Endroits dont le champ de vision est tout à fait dégagé (l'appareil ne doit pas vous gêner lors de la conduite du véhicule).
- Endroits contre lesquels vous ne vous cognez pas lorsque vous vous penchez pour attacher votre ceinture de sécurité.
- Endroits où l'appareil ne percute pas le volant lors de la conduite du véhicule.

- Notez que si la surface du tableau de bord est en cuir, en bois, en tissu élastique ou fabriquée à base de produits non résineux, vous risquez de l'endommager lors du retrait du socle.
- Ne placez pas l'appareil directement face aux conduits de la climatisation.

4 Retirez l'appareil du socle.

- 5** Retirez le support de montage du socle et collez-le au tableau de bord (ou à l'emplacement de votre choix). Nettoyez la surface d'installation à l'aide du chiffon fourni.



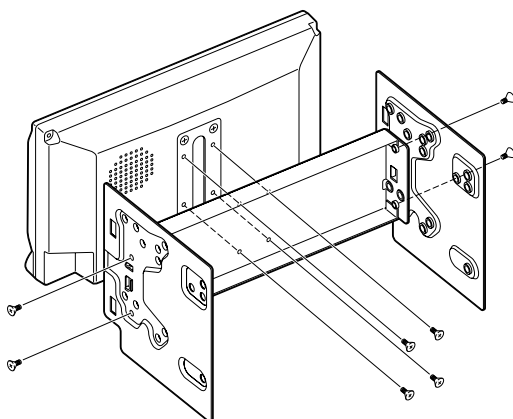
- Si la température du véhicule est trop basse (notamment en hiver), vous devez tout d'abord chauffer l'emplacement de montage à l'aide d'un sèche-cheveux.
- Ne forcez pas sur le support de montage et évitez de l'exposer à l'humidité 24 heures après l'avoir installé.
- Si le support de montage n'est pas correctement collé, nous vous recommandons d'utiliser les vis de fixation fournies.

- 6** Fixez l'appareil au socle comme indiqué à l'étape 2. Utilisez les colliers de câble pour fixer les câbles.

- Avant utilisation, vérifiez que l'appareil et le socle sont correctement fixés à l'emplacement choisi.

Fixation du moniteur sur le tableau de bord à l'aide d'un support de fixation

- 1** Fixez le support de fixation à l'aide des vis fournies (M5 x 8).
- 2** Fixez le support de fixation sur le moniteur à l'aide des vis fournies (M5 x 8).



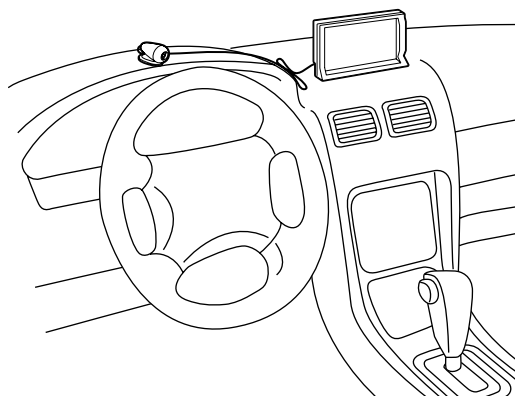
- 3** Fixez le moniteur sur le support de fixation installé dans le véhicule.

Fixation d'une microphone externe pour effectuer des appels mains libres

Pour plus de sécurité, fixez le microphone dans les endroits suivants.

- Dans un endroit stable et sûr.
- Dans un endroit qui n'entrave pas les manoeuvres du conducteur.
- Fixez le microphone externe utilisé pour le téléphone mains libres dans un endroit où la voix du conducteur peut être facilement enregistrée. Fixez le microphone en tenant compte de l'orientation et de la distance du conducteur, afin que la voix puisse être enregistrée sans que le conducteur ne doive se déplacer, ce qui pourrait le distraire.
- Si un microphone externe est raccordé, il est impossible d'utiliser un microphone interne.

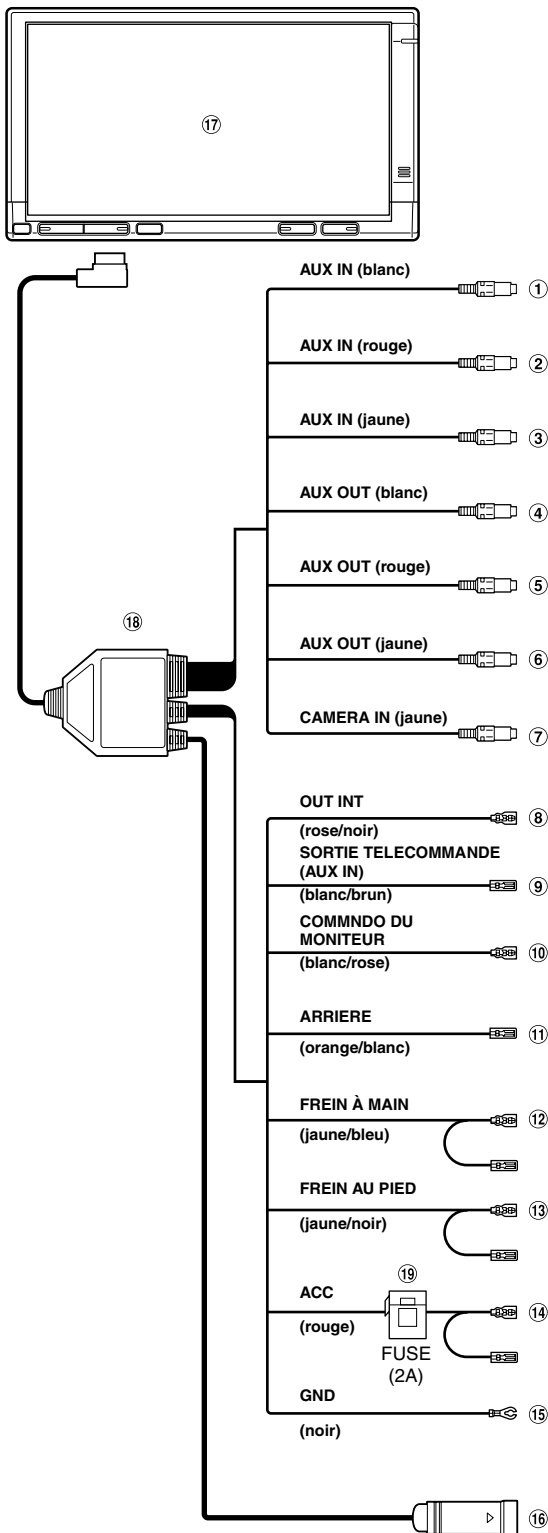
- 1** Retirez le film protecteur à la base du microphone externe, puis collez celui-ci sur le tableau de bord. Nettoyez la surface de montage à l'aide du chiffon fourni, puis collez le microphone.



Pour éviter que des bruits externes pénètrent dans l'installation audio.

- Positionnez l'appareil et acheminez les fils en les éloignant de 10 cm au moins du faisceau du véhicule.
- Eloignez les fils d'alimentation de la batterie le plus possible des autres fils.
- Raccordez fermement le fil de terre à un élément métallique nu (si nécessaire, enlevez la peinture, les saletés ou la graisse) du châssis du véhicule.
- Si vous ajoutez un atténuateur de bruit en option, raccordez-le le plus loin possible de l'appareil. Votre revendeur Alpine peut vous proposer différents modèles d'atténuateur de bruit. Pour plus d'informations, contactez-le.
- Votre revendeur Alpine connaît parfaitement bien les mesures à prendre pour éviter les bruits. N'hésitez donc pas à le consulter.

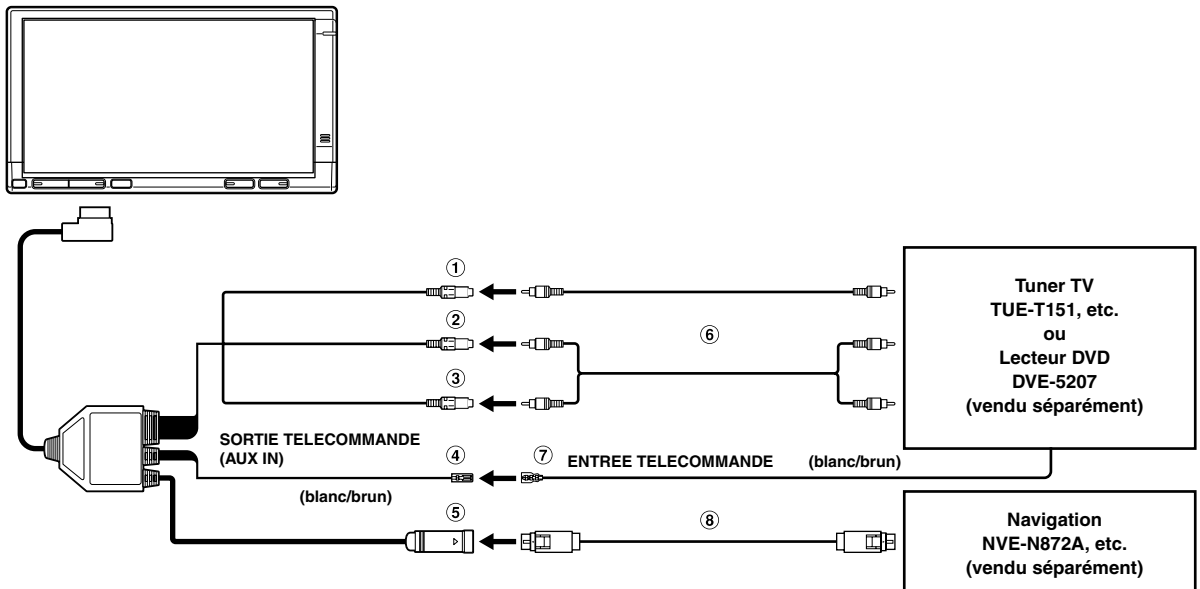
Raccordements



- ① **Connecteur d'entrée audio (AUX IN) (blanc)**
Permet de recevoir le son à gauche.
- ② **Connecteur d'entrée audio (AUX IN) (rouge)**
Permet de recevoir le son à droite.
- ③ **Connecteur d'entrée vidéo (AUX IN) (jaune)**
Permet de recevoir les vidéos.
- ④ **Connecteur de sortie audio (AUX OUT) (blanc)**
Permet de reproduire le son à gauche.
- ⑤ **Connecteur de sortie audio (AUX OUT) (rouge)**
Permet de reproduire le son à droite.
- ⑥ **Connecteur de sortie vidéo (AUX OUT) (jaune)**
Permet de reproduire les vidéos.
- ⑦ **Connecteur d'entrée de la caméra (jaune)**
Utilisez-le lorsque vous raccordez une caméra de recul.
- ⑧ **Fil de sortie d'interruption audio (rose/noir)**
- ⑨ **Fil de sortie de la télécommande (AUX IN) (blanc/brun)**
Raccordez-le au fil d'entrée de la télécommande. Ce fil produit les signaux de commande de la télécommande.
- ⑩ **Fil de commande du moniteur (blanc/rose)**
Branchez-le au fil de contrôle d'un produit compatible à panneau tactile.
- ⑪ **Fil de recul (orange/blanc)**
À utiliser uniquement lorsque vous connectez la caméra de recul. Raccordez-le au côté positif du feu de recul du véhicule qui s'allume lorsque le levier de changement de vitesses se trouve sur la position de marche arrière (R). Remplace l'image vidéo par celle de la caméra de recul. Cette opération est couplée au passage en marche arrière (R).
- ⑫ **Fil du frein à main (jaune/bleu)**
Raccordez ce fil au côté de l'alimentation de l'interrupteur de frein à main pour transmettre les signaux d'état du frein à main au TME-M740BT.
- ⑬ **Fil du frein au pied (jaune/noir)**
Raccordez au fil du frein au pied ou au fil du feu stop du véhicule.
- ⑭ **Fil d'alimentation commutée (Allumage) (rouge)**
Raccordez ce fil à une borne ouverte du boîtier de fusibles du véhicule ou à une autre source d'alimentation inutilisée qui fournit une tension positive de 12 V uniquement lorsque l'allumage est sous tension ou sur la position accessoire.
- ⑮ **Fil de terre (noir)**
Raccordez ce fil à une masse correcte du châssis du véhicule. Veillez à effectuer la connexion sur du métal nu et fixez-la fermement à l'aide de la vis à tôle fournie.
- ⑯ **Connecteur d'entrée RGB**
Raccordez-le à la borne de sortie RGB du système de navigation ou du système Vehiclehub Pro.
- ⑰ **Moniteur principal**
- ⑱ **Câble d'affichage/câble d'alimentation**
- ⑲ **Porte-fusibles (2 A)**

Exemple de système

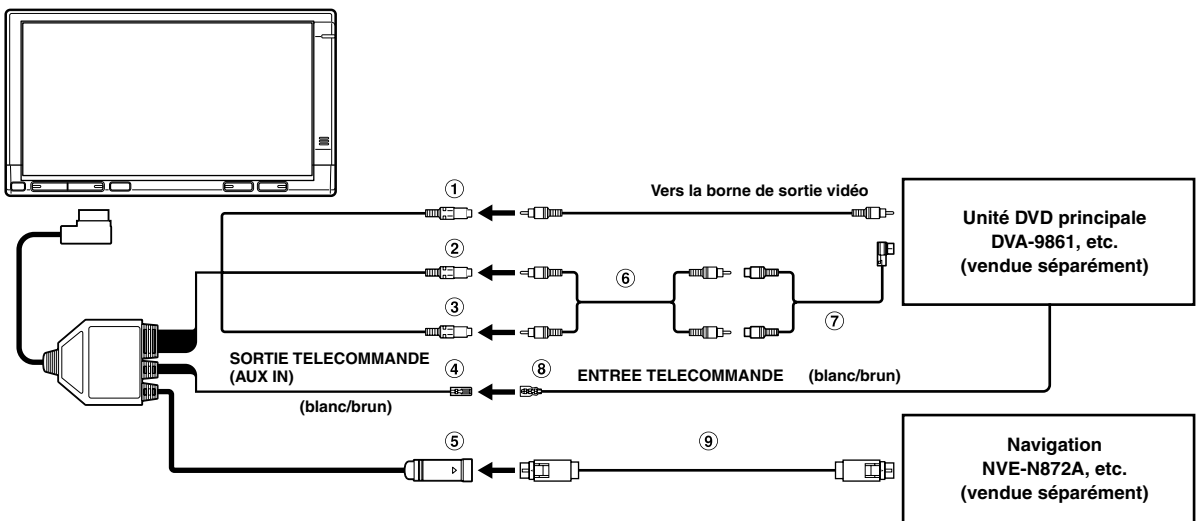
Connectez le système de navigation, le tuner TV ou le lecteur DVD



- ① Connecteur d'entrée vidéo (AUX IN) (jaune)
- ② Connecteur d'entrée audio (AUX IN) (rouge)
- ③ Connecteur d'entrée audio (AUX IN) (blanc)
- ④ Fil de sortie de la télécommande (AUX IN) (blanc/ brun)
- ⑤ Connecteur d'entrée RGB
- ⑥ Câble d'extension RCA (vendu séparément)
- ⑦ Fil d'entrée de la télécommande (blanc/brun)
- ⑧ Câble RGB (navigation incluse)

Raccordez-le au fil d'entrée de la télécommande. Ce fil produit les signaux de commande de la télécommande.

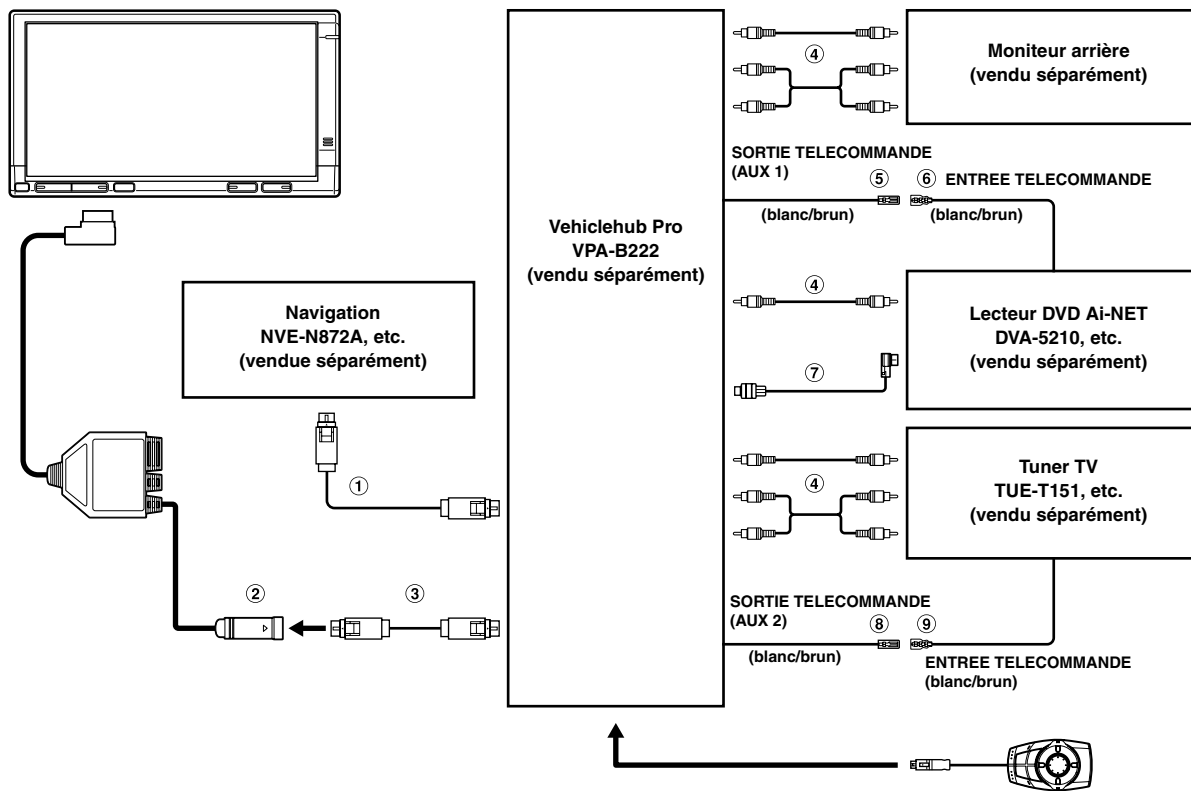
Connectez le système de navigation et l'unité DVD principale



- ① Connecteur d'entrée vidéo (AUX IN) (jaune)
- ② Connecteur de sortie audio (AUX OUT) (rouge)
- ③ Connecteur de sortie audio (AUX OUT) (blanc)
- ④ Fil de sortie de la télécommande (AUX IN) (blanc/ brun)
- ⑤ Connecteur d'entrée RGB
- ⑥ Câble d'extension RCA (vendu séparément)
- ⑦ Connecteur Ai-RCA KCA-121B (vendu séparément)
- ⑧ Fil d'entrée de la télécommande (blanc/brun)
- ⑨ Câble RGB (navigation incluse)

Raccordez-le au fil d'entrée de la télécommande. Ce fil produit les signaux de commande de la télécommande.

Connectez le système Vehiclehub Pro, le système de navigation, le tuner TV et le lecteur DVD



- ① Câble RGB (navigation incluse)
- ② Connecteur d'entrée RGB
- ③ Câble RGB (vendu séparément)
- ④ Câble d'extension RCA (vendu séparément)
- ⑤ Fil de sortie de la télécommande (AUX 1) (blanc/ brun)
Raccordez-le au fil d'entrée de la télécommande. Ce fil produit les signaux de commande de la télécommande.

- ⑥ Fil d'entrée de la télécommande (blanc/brun)
- ⑦ Câble Ai-NET (fourni avec l'unité DVD principale)
- ⑧ Fil de sortie de la télécommande (AUX 2) (blanc/ brun)
Raccordez-le au fil d'entrée de la télécommande. Ce fil produit les signaux de commande de la télécommande.
- ⑨ Fil d'entrée de la télécommande (blanc/brun)

Índice

Manual de instrucciones

ADVERTENCIA

ADVERTENCIA	2
PRUDENCIA	2
PRECAUCIONES	2

Primeros pasos

Ubicación de los controles	3
Encendido y apagado	4
Configuración del volumen	4
Cambio de la fuente	4

Operación con dispositivos auxiliares

Funcionamiento del reproductor de vídeo DVD (opcional)	5
Funciones del menú del DVD	5
Funcionamiento de TV (opcional)	6

Teléfono manos libres (opcional)

Información sobre el teléfono manos libres	6
Conexión de un teléfono móvil	7
Recepción de una llamada	7
Colgar una llamada	7
Realización de una llamada	7
Realización de una llamada marcando un número de teléfono (DIAL INPUT)	8
Realización de una llamada mediante la agenda de teléfonos (PHONE BOOK)	8
Realización de una llamada por historial de llamadas (RECEIVED CALLS/DIALED CALLS/MISSED CALLS)	8
Realización de una llamada con el modo de selección rápida (QUICK CALLS)	8
Realización de una llamada con el modo de marcado rápido (SPEED DIAL)	9
Registro de una agenda de teléfonos	9

Función de audio Bluetooth (opcional)

Funcionamiento del audio Bluetooth	9
Ajuste de la interrupción de salida de audio Bluetooth (INT BT AUDIO)	9

Configuración

Operación de configuración de pantalla	10
Configuración GENERAL	11
Configuración del SISTEMA	12
Configuración de Bluetooth	12
Configuración de selección trasera (REAR SELECT)	13

Información

En caso de dificultad	14
Especificaciones	14

Ubicación y conexiones

Advertencia	15
Prudencia	15
Precauciones	15
Instalación	16
Conexión del monitor y el pie	16
Montaje de un micrófono externo para llamadas con manos libres	17
Conexiones	18
Ejemplo de sistema	19

Manual de instrucciones

ADVERTENCIA



ADVERTENCIA

Este símbolo indica que las instrucciones son importantes. De no tenerse en cuenta, podrían ocasionarse heridas graves o muerte.

INSTALE LA UNIDAD CORRECTAMENTE PARA QUE EL CONDUCTOR NO PUEDA VER EL VIDEO/TELEVISOR A MENOS QUE EL VEHÍCULO SE ENCUENTRE PARADO Y SE HAYA ACCIONADO EL FRENO DE MANO.

Ver el vídeo/televisor mientras se conduce se considera peligroso. Si la unidad no se instala correctamente, el conductor podrá ver el vídeo/televisor y distraerse mientras conduce, incrementando el riesgo de accidente. Esto podría causar heridas graves al conductor y a otras personas.

NO MIRE EL VÍDEO MIENTRAS CONDUCE.

El conductor puede distraer su atención de la carretera mientras mira el vídeo y ocasionar un accidente.

NO REALICE NINGUNA OPERACIÓN QUE PUEDA DISTRAER SU ATENCIÓN Y COMPROMETER LA SEGURIDAD DURANTE LA CONDUCCIÓN DEL VEHÍCULO.

Las operaciones que requieren su atención durante más tiempo sólo deben realizarse después de detener completamente el vehículo. Estacione el vehículo en un lugar seguro antes de realizar dichas operaciones. De lo contrario, podría ocasionar un accidente.

MANTENGA EL VOLUMEN A UN NIVEL QUE NO LE IMPIDA ESCUCHAR LOS SONIDOS DEL EXTERIOR MIENTRAS CONDUCE.

Los niveles de volumen demasiado altos que reducen la percepción de otros sonidos como las sirenas de emergencia o posibles señales acústicas de advertencia en carretera (cruces de trenes, etc.) podrían ser peligrosos y provocar un accidente. LOS NIVELES DE VOLUMEN ALTOS EN EL VEHÍCULO TAMBIÉN PUEDEN DAÑAR EL SISTEMA AUDITIVO DE LOS PASAJEROS.

REDUZCA AL MÁXIMO LA VISUALIZACIÓN DE LA PANTALLA MIENTRAS CONDUCE.

El conductor puede distraer su atención de la carretera mientras mira la pantalla y ocasionar un accidente.

NO DESMONTE NI ALTERE LA UNIDAD.

Si lo hace, podrá ocasionar un accidente, un incendio o una descarga eléctrica.

UTILICE LA UNIDAD SOLAMENTE EN VEHÍCULOS QUE TENGAN 12 VOLTIOS CON NEGATIVO A MASA.

(Consulte a su distribuidor en caso de duda.) De no ser así, podría ocasionar un incendio, etc.

MANTENGA LOS OBJETOS PEQUEÑOS, COMO LAS PILAS, FUERA DEL ALCANCE DE LOS NIÑOS.

La ingestión de estos objetos puede provocar lesiones graves. Si esto ocurre, consulte con un médico inmediatamente.

UTILICE EL AMPERAJE CORRECTO CUANDO CAMBIE FUSIBLES.

De lo contrario, puede producirse un incendio o una descarga eléctrica.

UTILICE ESTE PRODUCTO CON APLICACIONES MÓVILES DE 12 V.

Si se emplea para otra aplicación distinta de la prevista, podría producirse un incendio, una descarga eléctrica u otras lesiones.

NO INSTALE EL MONITOR CERCA DEL AIRBAG DEL ASIENTO DEL PASAJERO.

Si el aparato no está bien instalado, el airbag podrá no funcionar correctamente y, cuando se despliegue el airbag, podrá hacer que el monitor salga despedido hacia arriba y ocasionar un accidente y heridas.



PRUDENCIA

Este símbolo indica que las instrucciones son importantes. De no tenerse en cuenta, podrían ocasionarse heridas graves o daños materiales.

DEJE DE USAR LA UNIDAD INMEDIATAMENTE SI APARECE ALGÚN PROBLEMA.

Su uso en estas condiciones podría ocasionar lesiones personales o daños al producto. Lleve la unidad a un distribuidor Alpine autorizado o al Centro de servicio Alpine más próximo para repararla.



PRECAUCIONES

Limpieza del producto

Limpie el producto periódicamente con un paño suave y seco. Para limpiar las manchas más difíciles, humedezca el paño únicamente con agua. Cualquier otro líquido puede disolver la pintura o deteriorar el plástico.

Temperatura

Cerciórese de que la temperatura del interior de vehículo esté entre +45 °C (+113 °F) y 0 °C (+32 °F) antes de conectar la alimentación de la unidad.

Mantenimiento

Si tiene problemas, no intente reparar la unidad usted mismo. Devuélvala a su proveedor Alpine o a la estación de servicio Alpine para que se la reparen.

Lugar de instalación

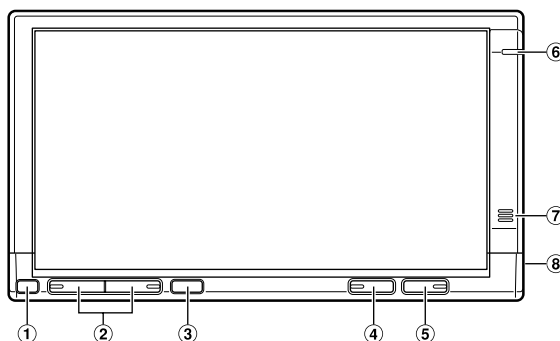
Cerciórese de no instalar el TME-M740BT en un lugar sometido a:

- La luz solar directa ni el calor
- Gran humedad y agua
- Polvo excesivo
- Vibraciones excesivas

- Después de apagar el sistema, permanecerá temporalmente en pantalla una ligera imagen fantasma. Se trata de un peculiar efecto de la tecnología LCD y es normal.
- En condiciones de temperaturas frías, es posible que la pantalla pierda contraste temporalmente. Después de un corto periodo de calentamiento, recuperará la normalidad.

La operación de algunas funciones de este unidad son muy complicadas. Debido a ello, se ha considerado necesario agrupar esas funciones en una pantalla especial de ajustes. Esto restringirá la operación de estas funciones a sólo cuando el vehículo esté aparcado. De esta forma se asegura que la atención del conductor estará en la carretera y no en el TME-M740BT. Esto ha sido pensado para la seguridad del conductor y de los pasajeros. La operación de configuración no se puede realizar cuando el vehículo está en movimiento. Para poder realizar los procedimientos descritos en el Manual de operación, el automóvil deberá estar aparcado y el freno de mano echado. Si se intenta realizar estas operaciones mientras se está conduciendo, se visualizará el aviso "Operation is not allowed while driving" (Operación no permitida mientras conduce).

Primeros pasos



Ubicación de los controles

- ① **Sensor atenuador**
Detecta la luminosidad del interior del vehículo
- ② **Botones de volumen**
Ajuste el nivel del volumen pulsando el botón ▲ o ▼.
- ③ **Sensor remoto**
Apunte el transmisor del mando a distancia opcional hacia el sensor remoto desde una distancia máxima de 2 m.
- ④ **Botón SOURCE**
Cada vez que se pulsa el botón SOURCE, la fuente cambia. Si se pulsa el botón y se mantiene presionado durante, al menos, 3 segundos, se enciende o se apaga el sistema Vehiclehub Pro VPA-B222 (opcional).
- ⑤ **Botón ⏻ (ENCENDIDO)**
Enciende y apaga la unidad.
Si se pulsa el botón y se mantiene presionado durante, al menos, 3 segundos, se activa o desactiva la selección del volumen del sistema Vehiclehub Pro VPA-B222 (se vende por separado).
- ⑥ **Indicador Bluetooth**
Se ilumina si el ajuste "Configuración de la conexión Bluetooth (Bluetooth)" (página 13) está activado (ON). Parpadea si se utiliza un teléfono manos libres para recibir, realizar o mantener una llamada.
- ⑦ **Micrófono del teléfono móvil**
Si la señal recibida no es lo suficientemente intensa, utilice el micrófono externo suministrado para utilizarlo como teléfono manos libres.
- ⑧ **Toma de micrófono externo del teléfono móvil**
Si se conecta un micrófono externo, no es posible utilizar el micrófono interno.

Encendido y apagado

1 Pulse **POWER** para encender la unidad.

2 Pulse **POWER** para apagar la unidad.

- Algunas de las funciones de esta unidad no pueden utilizarse con el vehículo en movimiento. En tal caso, detenga su vehículo y eche el freno de mano antes de llevar a cabo la operación.
- En condiciones de baja temperatura, es posible que la pantalla permanezca oscura durante un breve período de tiempo después del encendido. La pantalla volverá a sus estado normal una vez se haya calentado el LCD.
- Si la batería del vehículo dispone de poco voltaje, la pantalla podría parpadear. Este comportamiento es normal; no se trata de una avería.

Configuración del volumen

Ajuste el nivel del volumen pulsando **^** o **v**.

- Si el ajuste "Cambio de la salida de sonido (VOLUME CONTROL)" (página 12) está configurado en SYSTEM, es posible ajustar volumen del sistema opcional Vehiclehub Pro VPA-B222 mediante los controles de volumen de esta unidad.

Cambio de la fuente

1 Pulse **SOURCE**.

Aparece la pantalla de selección de fuentes.

2 Toque la fuente que desee.

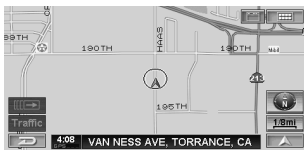
Aparece la pantalla principal de la fuente.

Ejemplo de visualización de pantalla de selección de fuentes



1 Nav. (navegación)

Aparece la pantalla de navegación. Si se conecta un sistema de navegación Alpine opcional a los modelos TME-M740BT, se podrá mostrar la pantalla de navegación en esta unidad.



- Para obtener más información sobre la operación de navegación, consulte el manual de instrucciones del sistema de navegación.
- Si no aparece NAV en la pantalla de selección de fuente, ajuste NAV MODE en NAV según lo descrito en "Configuración del modo de navegación (NAV. MODE)" (página 12).

2 MOBILE PHONE

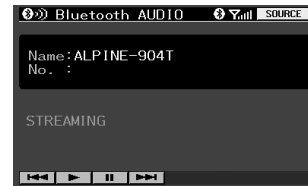
Aparece la pantalla MOBILE PHONE.



- Para obtener más información, consulte "Teléfono manos libres (opcional)" (página 6).

3 Bluetooth AUDIO

Aparece la pantalla del modo Bluetooth AUDIO.



- Para obtener más información, consulte "Funcionamiento del audio Bluetooth" (página 9).

4 AUX

Aparece la pantalla de entradas externas.



Pantalla de ejemplo: EXT. DVD

- Aparecerá el nombre dado a la fuente en "Configuración del nombre de la entrada externa (AUX NAME)" en la página 12.
- Para obtener más información, consulte "Funcionamiento del reproductor de vídeo DVD (opcional)" (página 5).
- Para obtener más información, consulte "Funcionamiento de TV (opcional)" (página 6).

5 SETUP

Aparece la pantalla de selección SETUP.



- Para obtener más información, consulte "Configuración" (página 10).

Operación con dispositivos auxiliares

Si se conecta un dispositivo ALPINE a la entrada AUX, este dispositivo se puede controlar mediante la unidad. A continuación se explica cómo utilizar los dispositivos correspondientes.

Funcionamiento del reproductor de vídeo DVD (opcional)

Es posible utilizarlo si hay conectado un reproductor de vídeo DVD (DVA-5210/DVE-5207/DHA-S680).

Si EXT. DVD está seleccionado en "Configuración del nombre de la entrada externa (AUX NAME)" (página 12), la fuente aparece en la pantalla de selección de fuentes.

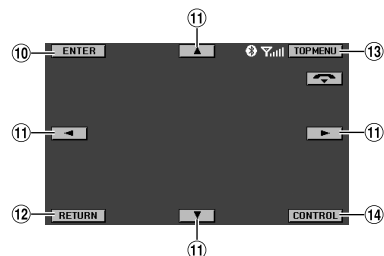
Toque el panel de la pantalla para visualizar la pantalla de funciones.

- La pantalla de funciones cambia a la pantalla visual en el modo DVD durante 5 segundos después de realizar una operación. Toque el panel de la pantalla para volver a visualizar la pantalla de funciones.



- 1 Busca el comienzo de una pista/capítulo. Si se toca y se mantiene presionado, se activa el retroceso rápido.
- 2 Detiene la reproducción y la reanuda.
- 3 Busca el comienzo de una pista/capítulo. Si se toca y se mantiene presionado, se activa el avance rápido.
- 4 Parada provisional y definitiva.
- 5 **▼ DISC**
Cambia de disco (sólo DHA-S680).
- 6 **DISC ▲**
Cambia de disco (sólo DHA-S680).
- 7 Muestra la pantalla de funciones del menú del DVD.
- 8 **SOURCE**
Muestra la pantalla de selección de fuentes.
- 9 Termina (cuelga) la conexión del teléfono móvil. Este indicador aparece únicamente durante la llamada.

Funciones del menú del DVD



- 10 **ENTER**
Accede al elemento seleccionado.
 - 11 Mueve un elemento mostrado en la pantalla.
 - 12 **RETURN**
Vuelve a la pantalla anterior.
 - 13 **TOP MENU**
Muestra la pantalla de menús principal del DVD.
 - 14 **CONTROL**
Muestra la pantalla principal de funciones.
- Las funciones pueden variar según el dispositivo conectado. Consulte el manual de instrucciones del dispositivo conectado.

Funcionamiento de TV (opcional)


Funciona si el TUE-T151 opcional está conectado.

Si TV está seleccionado en "Configuración del nombre de la entrada externa (AUX NAME)" (página 12), la fuente aparece en la pantalla de selección de fuentes.

Toque el panel de la pantalla para visualizar la pantalla de funciones.

- La pantalla de funciones cambia a la pantalla visual en el modo TV durante 5 segundos después de realizar una operación. Toque el panel de la pantalla para volver a visualizar la pantalla de funciones.



- ① **◀ CH**
Desciende por los canales de uno en uno.
◀ P. DN
Desciende por los números de memorización de uno en uno.
 - ② **TUNE**
Cambia el modo de sintonización (modo manual, búsqueda automática o número de memorización).
 - ③ **CH ▶**
Ascende por los canales de uno en uno.
P. UP ▶
Ascende por los números de memorización de uno en uno.
 - ④ **A. MEMO**
Memoriza automáticamente.
 - ⑤ **BAND**
Cambia la banda.
 - ⑥ **SOURCE**
Muestra la pantalla de selección de fuentes.
 - ⑦ 
Termina (cuelga) la conexión del teléfono móvil. Este indicador aparece únicamente durante la llamada.
- Las funciones pueden variar según el dispositivo conectado. Consulte el manual de instrucciones del dispositivo conectado.

Teléfono manos libres (opcional)

Información sobre el teléfono manos libres

Esta unidad es compatible con la tecnología internacional normalizada de comunicación inalámbrica Bluetooth®. Es posible realizar llamadas en modo manos libres* con un teléfono móvil compatible con Bluetooth.

* Para realizar una llamada en modo manos libres, el teléfono móvil debe cumplir los requisitos del perfil HPF (perfil de manos libres).

- No realice llamadas en modo manos libres en ciudades con mucho tráfico o en calles estrechas.
- Al realizar la llamada, hable alto y claro.
- Cierre las ventanillas antes de realizar la llamada.
- Si los dos interlocutores utilizan un dispositivo manos libres para llamarse entre sí, o si la llamada se produce en un lugar con mucho ruido, es posible que sea complicado escuchar la voz del interlocutor o hacerse oír.
- Algunas voces pueden sonar poco naturales, según la persona que utilice el teléfono o la cobertura disponible.
- En función del teléfono móvil, es posible que no pueda utilizar el modo manos libres.

Conexión de un teléfono móvil

Si es la primera vez que va a conectar un teléfono móvil, regístrelo del modo siguiente.

Registro

Configuración de Bluetooth

Consulte "Configuración de la conexión Bluetooth (Bluetooth)" (página 12).
Consulte "Envío de la información del nombre de la unidad (VISIBLE MODE)" (página 13).



Búsqueda de un teléfono móvil

Consulte "Búsqueda de dispositivos Bluetooth conectables (búsqueda de Bluetooth) (SEARCH DEVICE)" (página 12).



Selección de un teléfono móvil

Toque [PAIR] en el teléfono móvil que va a registrar.



Introducción del código de confirmación

Introduzca un número que contenga entre 4 y 10 dígitos.
* Cuando introduzca el código de confirmación, hágalo en menos de 30 segundos para garantizar la seguridad de la transmisión.



Introducción de un código de confirmación en el teléfono móvil.

Introduzca el mismo código de configuración (entre 4 y 10 dígitos) que el de la unidad.
* Cuando introduzca el código de confirmación, hágalo en menos de 30 segundos para garantizar la seguridad de la transmisión.



Registro finalizado.



Conexión

Conexión de un teléfono móvil

Consulte "Configuración del dispositivo Bluetooth registrado (PAIRED DEVICE)" (página 12).



Selección de un teléfono móvil

Toque [CONNECT] en el teléfono móvil que va a registrar.



Conexión finalizada.

- Es imprescindible realizar la configuración Bluetooth en un teléfono móvil. Consulte el manual de instrucciones del teléfono móvil.
- Para introducir un código de confirmación en el teléfono móvil, consulte el manual de instrucciones del teléfono móvil.
- Lleve a cabo las operaciones y observe la pantalla del teléfono móvil hasta la finalización de la conexión.

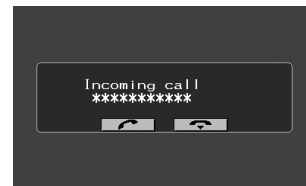
- Si ON está seleccionado en "Configuración de una conexión automática (AUTO CONNECT)" (página 13), se iniciará la conexión automática del teléfono móvil conectado previamente al encender la unidad.
- Si ha registrado un teléfono móvil previamente en la unidad, seleccione el teléfono móvil que desee en la lista de configuración de dispositivos registrados. Consulte "Configuración del dispositivo Bluetooth registrado (PAIRED DEVICE)" (página 12).

Recepción de una llamada

Al recibir una llamada, suena un tono de llamada entrante y se anuncia la llamada en la pantalla.

Toque [📞].

Se iniciará la llamada.

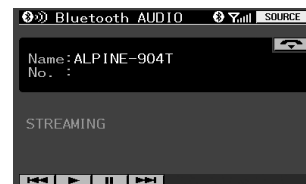


- Si ON está seleccionado en "Recepción automática de una llamada (AUTO ANSWER)" (página 13), la llamada entrante se contestará automáticamente 5 segundos después de la recepción.
- Es posible configurar la unidad para que se active el modo de pantalla completa al recibir la llamada. Para obtener más información, consulte "Configuración de la pantalla que aparece durante la llamadas (CALLING DISPLAY)" (página 10).

Colgar una llamada

Toque [📞].

Finalizará la llamada.



Realización de una llamada

1 Toque [MOBILE PHONE] en la pantalla de selección de fuentes.

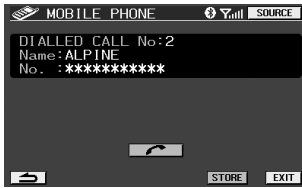
Aparece la pantalla MOBILE PHONE.

2 Seleccione el método que desee.



3 Toque [📞].

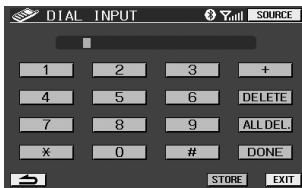
El teléfono ya está realizando la llamada.



- Si introduce un número de teléfono y realiza la llamada, esta pantalla no se muestra.
- Si toca [STORE], es posible registrar la llamada en el modo de marcado rápido SPEED DIAL.
- Es posible que algunas funciones no estén activas según el teléfono móvil.

Realización de una llamada marcando un número de teléfono (DIAL INPUT)

Marque el número del destinatario, con el prefijo correspondiente, y toque [DONE].

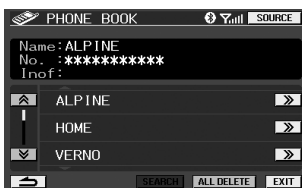


- Si toca [DELETE], se borrarán los caracteres de uno en uno. Si toca [ALL DEL.], se borrarán todos los caracteres.
- Si toca [STORE], es posible registrar la llamada en el modo de marcado rápido SPEED DIAL.

Realización de una llamada mediante la agenda de teléfonos (PHONE BOOK)

Puede seleccionar una persona y realizar la llamada desde una agenda de teléfonos que puede descargar en la unidad desde su teléfono móvil.

Toque [➤] junto a la persona a la que desee llamar.



- Si toca [↶] o [↷], es posible cambiar de página.
- Si toca [ALL DELETE], se borrará toda la agenda de teléfonos.
- Si conecta un teléfono móvil a otro, la lista de llamadas recibidas, enviadas o perdidas grabadas con anterioridad en el móvil conectado se borrarán automáticamente.

Realización de una llamada por historial de llamadas (RECEIVED CALLS/DIALED CALLS/MISSED CALLS)

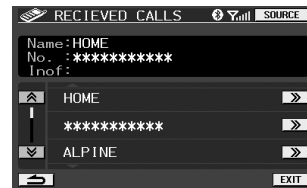
Es posible realizar una llamada seleccionando el destinatario en una lista de llamadas recibidas, enviadas o perdidas.

RECEIVED CALLS: Lista de números de teléfono de llamadas recibidas previamente.

DIALED CALLS: Lista de números de teléfono de llamadas enviadas previamente.

MISSED CALLS: Lista de números de teléfono de personas que han llamado pero no se han atendido (llamadas perdidas).

Toque [➤] junto a la persona a la que desee llamar.



- Si toca [↶] o [↷], es posible cambiar de página.
- Se puede almacenar un máximo de 20 números en cada historial de llamadas. Si el historial de llamadas supera las 20 entradas, se irán borrando desde la más antigua.
- Si conecta un teléfono móvil a otro, la lista de llamadas recibidas, enviadas o perdidas grabadas con anterioridad en el móvil conectado se borrarán automáticamente.

Realización de una llamada con el modo de selección rápida (QUICK CALLS)

Es posible realizar una llamada rápidamente a un número de teléfono marcado o recibido por última vez.

1 Toque [DIALED] o [RECEIVED] en QUICK CALLS en la pantalla de selección de fuentes.



2 Toque [📞].

Se realiza la llamada.



- Si toca [STORE], es posible registrar la llamada en el modo de marcado rápido SPEED DIAL.

Realización de una llamada con el modo de marcado rápido (SPEED DIAL)

Es posible registrar hasta 9 números de teléfono a los que llama frecuentemente en el modo SPEED DIAL para poder utilizarlos en cualquier momento.

- 1 Toque el número al que desea llamar en el modo SPEED DIAL en la pantalla de selección de fuentes.



- Puede desplazarse por los números tocando [◀] o [▶].

- 2 Toque [📞].
Se realiza la llamada.



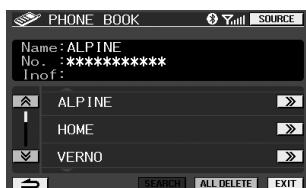
Registro de una agenda de teléfonos

Es posible realizar una llamada registrando la agenda de teléfonos de un teléfono móvil en la unidad.

- 1 Envíe los datos de la agenda de teléfonos desde un teléfono móvil al TME-T740BT.

Una vez enviados los datos, aparecerá el mensaje de confirmación correspondiente.

- 2 Toque [STORE].
Aparecerá la pantalla de la agenda de teléfonos.



- Para obtener información sobre el modo de enviar los datos de una agenda de teléfonos, consulte el manual de instrucciones del teléfono móvil.
- El número máximo de entradas que se pueden registrar en la agenda de teléfonos de la unidad es 205.
- En función del teléfono móvil, si toca [SEARCH] en la pantalla de la agenda de teléfonos, la agenda de teléfonos del teléfono móvil se leerá automáticamente en la unidad.
- Si desea sobrescribir una agenda de teléfonos, toque [ALL DELETE] y borre la agenda existente; a continuación, vuelva a registrar la agenda de teléfonos.
- Para realizar una llamada desde una agenda de teléfonos, consulte "Realización de una llamada mediante la agenda de teléfonos (PHONE BOOK)" (página 8).

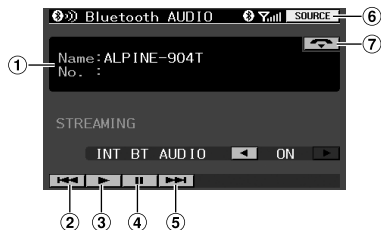
Función de audio Bluetooth (opcional)

Funcionamiento del audio Bluetooth

La información de audio de un teléfono móvil, reproductor portátil, etc., compatible con la tecnología Bluetooth, se puede controlar y reproducir* desde la unidad.

Consulte "Conexión de un teléfono móvil" (página 7) para conectar dispositivos de audio Bluetooth.

* Para poder reproducir audio, es necesario que el móvil sea compatible con el perfil A2DP (Perfil de distribución de audio avanzado). No se admite la reproducción de vídeo.



- ① Muestra el nombre del dispositivo.
- ② ◀◀
Busca el comienzo de la pista actual.
- ③ ▶
Reproducción
- ④ ||
Pausa
- ⑤ ▶▶
Busca el comienzo de la siguiente pista.
- ⑥ SOURCE
Muestra la pantalla de selección de fuentes.
- ⑦ 📞
Finaliza una conexión de teléfono manos libres. El indicador aparece mientras se realiza la llamada.

Ajuste de la interrupción de salida de audio Bluetooth (INT BT AUDIO)

Este ajuste se realiza cuando se obtiene el sonido de audio Bluetooth desde una unidad externa (unidad principal compatible con Ai-NET, monitor trasero, etc.).

- 1 Toque [◀] o [▶] de INT BT AUDIO para activarlo o desactivarlo.

ON / OFF (ajuste inicial)

- ON: se ajusta en ON si el sonido de audio Bluetooth se obtiene mediante el conector de salida de audio (AUX OUT) desde Ai-NET a la unidad principal compatible con Ai-NET (DVA-9861, etc.).
- OFF: se ajusta en OFF cuando el sonido de audio Bluetooth se obtiene desde el conector de salida de audio (AUX OUT) del monitor trasero.

- Si se interrumpe el audio por una llamada con manos libres o por una guía de navegación, éstas tendrán prioridad para la interrupción.
- El ajuste "INT BT AUDIO" sólo se puede realizar si la pantalla de audio Bluetooth está visible. Si se cambia a otra fuente, el ajuste no se puede realizar.

Configuración

Es posible personalizar la unidad con gran flexibilidad para que se ajuste a sus preferencias y uso.

Consulte los pasos 1-4 para seleccionar uno de los modos de configuración que quiera modificar. Consulte la sección siguiente para obtener información detallada sobre cada opción de configuración.

1 Toque [SETUP] en la pantalla de selección de fuentes.

Aparece la pantalla de selección SETUP.

2 Toque la opción de configuración que desee.



DISPLAY

DIMMER/DIMMER HIGH/DIMMER LOW/CALLING DISPLAY/ DISPLAY MODE/SCREEN ALIGNMENT/VISUAL EQ

GENERAL

BEEP/LED BRIGHTNESS/VOLUME CONTROL

SYSTEM

INT MUTE/AUX NAME/NAV. MODE/CAMERA INT

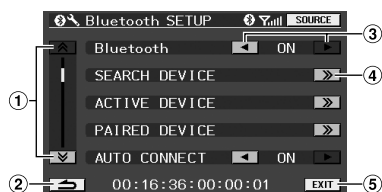
Bluetooth

Bluetooth/ SEARCH DEVICE/ACTIVE DEVICE/PAIRED DEVICE/ AUTO CONNECT/VISABLE MODE/AUTO ANSWER/REFUSED CALL/PHONEBOOK/MIC GAIN

REAR SELECT

REAR SELECT

3 Toque [◀] o [▶], etc., del elemento deseado para cambiar la configuración del mismo.



① Cambia de página.

② Vuelve a la pantalla anterior.

③ Cambia de opción de configuración.

④ Muestra la pantalla de configuración detallada.

⑤ Cierra la pantalla de configuración.

4 Toque [EXIT].

Operación de configuración de pantalla

Configuración de la luminosidad de la iluminación de fondo (DIMMER)

HIGH / LOW / AUTO (configuración inicial)

La iluminación de fondo viene proporcionada por una luz fluorescente incorporada en el panel de cristal líquido. El control de iluminación ajusta el brillo de la iluminación de fondo según la luz ambiente del automóvil, para permitir una mejor visualización.

HIGH: Ajusta la el brillo de la pantalla en el mismo valor que el ajustado en DIMMER HIGH en "Configuración del nivel máximo de la iluminación de fondo (DIMMER HIGH)" (página 10).

LOW: Ajusta la el brillo de la pantalla en el mismo valor que el ajustado en DIMMER LOW en "Configuración del nivel mínimo de la iluminación de fondo (DIMMER LOW)" (página 10).

AUTO: Ajusta automáticamente el brillo de la retroiluminación del monitor según la intensidad de luz en el interior del vehículo.

Configuración del nivel máximo de la iluminación de fondo (DIMMER HIGH)

De MIN(16) a MAX(31) (configuración inicial: MIN)

Si HIGH está seleccionado en "Configuración de la luminosidad de la iluminación de fondo (DIMMER)" (página 10), es posible ajustar el brillo de la iluminación de fondo. Esta función se puede utilizar, por ejemplo, para cambiar el brillo de la pantalla cuando se viaja de noche.

Configuración del nivel mínimo de la iluminación de fondo (DIMMER LOW)

De MIN(0) a MAX(15) (configuración inicial: MIN)

Si LOW está seleccionado en "Configuración de la luminosidad de la iluminación de fondo (DIMMER)" (página 10), es posible ajustar el brillo de la iluminación de fondo. Esta función se puede utilizar, por ejemplo, para cambiar el brillo de la pantalla cuando se viaja de noche.

Configuración de la pantalla que aparece durante la llamadas (CALLING DISPLAY)

TEL.(configuración inicial) / MAIN

Cuando se realiza una llamada con un teléfono manos libres, es posible seleccionar la visualización de la pantalla del teléfono, la pantalla de navegación, etc.

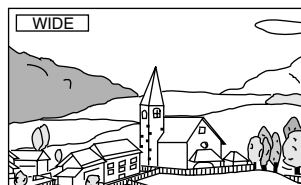
TEL.: Muestra la pantalla del teléfono.

MAIN: Muestra la pantalla de la fuente actual (navegación, etc.).

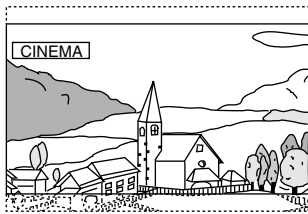
Modo de visualización (DISPLAY MODE)

WIDE (configuración inicial) / CINEMA / NORMAL

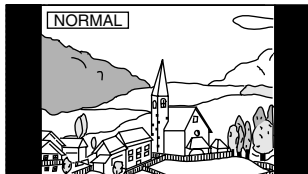
WIDE: El monitor ensancha las imágenes normales para ajustarlas a un monitor de pantalla ancha; para ello estira la imagen horizontalmente de forma equilibrada.



CINEMA: El monitor muestra una imagen normal estirándola verticalmente. Este modo es adecuado para la visualización de imágenes cinematográficas con una proporción 16:9.



NORMAL: El monitor muestra una imagen normal en el centro de la pantalla, con una banda negra vertical a cada lado.



Configuración del panel sensible al tacto (SCREEN ALIGNMENT)

◀(RESET) / >> (SETUP)

El ajuste resulta necesario cuando la posición de visualización en la pantalla de cristal líquido y la posición que debe tocar en el panel sensible al tacto no coinciden.

- 1 Toque [>>] de SCREEN ALIGNMENT.**
Aparece la pantalla de ajuste.
- 2 Toque con cuidado la marca [▶] que aparece en la esquina inferior izquierda de la pantalla.**
La pantalla cambia a la pantalla de ajuste.
- 3 Toque con cuidado la marca [▲] que aparece en la esquina superior derecha de la pantalla.**
Esto completará el ajuste y le devolverá a la pantalla de modo de configuración DISPLAY.

• Si el ajuste se cancela a la mitad, pulse SOURCE.

Configuración de VISUAL EQ™

① BRIGHT (Brillo)

De MIN(-15) a MAX(+15) (configuración inicial: 0)

② COLOR

De MIN(-15) a MAX(+15) (configuración inicial: 0)

③ TINT (Matiz)

De G MAX(G15) a R MAX(R15) (configuración inicial: 0)

④ CONTRAST (Contraste)

De MIN(-15) a MAX(+15) (configuración inicial: 0)

⑤ SHARP (Nitidez)

De MIN(-15) a MAX(+15) (configuración inicial: 0)

⑥ MODO VISUAL EQ

OFF (configuración inicial) / NIGHT M / SOFT / SHARP / CONTRAST / P-1 / P-2

- OFF: Configuración inicial
- NIGHT M: Adecuado para películas en las que aparezcan escenas oscuras con frecuencia.
- SOFT: Adecuado para gráficos de ordenador y películas animadas.
- SHARP: Adecuado para películas antiguas en las que no se muestran las imágenes con claridad.
- CONTRAST: Adecuado para películas recientes.
- P-1: Recupera el modo VISUAL EQ almacenado en el número P-1 predefinido en "⑦ USER MEMORY" (página 12).
- P-2: Recupera el modo VISUAL EQ guardado en el número P-2 predefinido en "⑦ USER MEMORY" (página 12).

⑦ USER MEMORY

P-1 (configuración inicial) / P-2

Es posible almacenar los ajustes realizados en "① BRIGHT, ② COLOR, ③ TINT, ④ CONTRAST y ⑤ SHARP".

Una vez ajustadas las opciones ① BRIGHT, ② COLOR, ③ TINT, ④ CONTRAST y ⑤ SHARP, seleccione el número de memorización (P-1) o (P-2) y almacénelo tocando [WRITE].

- Si lo desea, puede recuperar en este punto el modo VISUAL EQ almacenado desde P-1 o P-2 de "⑥ Modo VISUAL EQ" (página 12).

Configuración GENERAL

Función guía de sonido (BEEP)

ON (configuración inicial) / OFF

- ON: Activa el modo de guía de sonido.
- OFF: Desactiva el modo de guía de sonido. Al pulsar un botón de la unidad no sonará el pitido de guía.

Configuración del brillo del LED (LED BRIGHTNESS)

HIGH / NORMAL (configuración inicial) / LOW / OFF

Permite ajustar el brillo del LED (indicador de encendido, etc.).

- HIGH: Aumenta el brillo del LED.
- NORMAL: Brillo normal del LED.
- LOW: Reduce el brillo del LED.
- OFF: Apaga el LED.

Cambio de la salida de audio (VOLUME CONTROL)

MONITOR (configuración inicial) / SYSTEM

Si la unidad está conectada al sistema Vehiclehub Pro (VPA-B222), ajuste esta opción en ON.

- MONITOR: El sonido procede de los altavoces incorporados.
- SYSTEM: Es posible ajustar el volumen desde la unidad si se conectan dispositivos compatibles al VPA-B222.

Configuración del SISTEMA

Configuración de la interrupción del teléfono manos libres (INT MUTE)

ON (configuración inicial) / OFF

Es posible ajustar el teléfono manos libres de tal forma que la llamada interrumpa el funcionamiento de la unidad principal (DVA-9861, etc.).

ON: La llamada recibida o realizada interrumpe el funcionamiento de la unidad principal. El audio de la unidad principal queda silenciado en ese momento.

OFF: La llamada recibida o realizada no interrumpe el funcionamiento de la unidad principal.

- *Los dispositivos conectados con el cable IN-INT se deben conectar al cable OUT-INT de la unidad.*
- * *Para activar la interrupción de voz del teléfono móvil en la unidad principal, lleve a cabo también el ajuste que se describe a continuación. Si no se realiza este ajuste, no será posible que la voz interrumpa el funcionamiento de la unidad.*
Seleccione ON en "Uso eficaz de una llamada rechazada (REFUSED CALL)" (página 13) y Bluetooth AUDIO en "Configuración de selección trasera (REAR SELECT)" (página 13).

Configuración del nombre de la entrada externa (AUX NAME)

OFF / TV / DVD HU / EXT. DVD / GAME / AUX (configuración inicial)

En la siguiente lista, seleccione el nombre que se utilizará en el producto para referirse al modo de entrada externa. Esto se aplicará a los nombres táctiles en el proceso de selección y al nombre de la fuente durante la reproducción.

Configuración del modo de navegación (NAV. MODE)

NAV. (configuración inicial) / EXT. / OFF

OFF: No se muestra la fuente de navegación. Los parámetros de configuración relacionados con la navegación no pueden modificarse desde esta unidad.

NAV.: Se muestra la fuente de navegación.

EXT.: El nombre de la fuente es Vehicle Hub.

Configuración de la cámara trasera (CAMERA INT)

ON (configuración inicial) / OFF

Si está conectada la cámara trasera, las imágenes captadas por ella se muestran en pantalla.

OFF: La fuente CAMERA no se muestra en la pantalla de selección de fuentes.

ON: Aunque la palanca de cambios no esté situada en marcha atrás (R), es posible mostrar las imágenes de la cámara trasera seleccionando la fuente CAMERA.

- *Al cambiar a marcha atrás (R), se muestran las imágenes captadas por la cámara trasera. Esta función sólo es operativa si se ha conectado correctamente el cable de marcha atrás.*

Configuración de Bluetooth

Configuración de la conexión Bluetooth (Bluetooth)

ON (configuración inicial) / OFF

Este ajuste se lleva a cabo si se utiliza un teléfono manos libres o audio Bluetooth. Es importante que esté ajustado en ON.

ON: Se puede utilizar la función Bluetooth.

OFF: No se puede utilizar la función Bluetooth.

Búsqueda de dispositivos Bluetooth conectables (búsqueda de Bluetooth) (SEARCH DEVICE)



- *Si se toca [CANCEL], finalizará la búsqueda de dispositivos Bluetooth.*
- *Una vez finalizada la búsqueda, se muestra la lista de selección de dispositivos. Si toca [PAIR] en un dispositivo Bluetooth que se pueda conectar, aparecerá la pantalla de introducción del código de confirmación. Introduzca el mismo código de confirmación en la pantalla para la unidad y para el dispositivo Bluetooth. Consulte "Conexión de un teléfono móvil" (página 7).*

Análisis de la información del dispositivo Bluetooth (ACTIVE DEVICE)

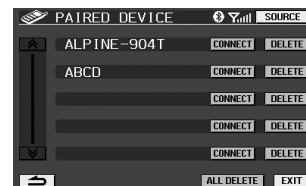
Es posible comprobar los detalles de un dispositivo Bluetooth conectado.



- *Si conecta un teléfono móvil a otro, asegúrese de tocar [DISCONNECT] y cancelar el móvil conectado en ese momento.*

Configuración del dispositivo Bluetooth registrado (PAIRED DEVICE)

Anteriormente, se registraron 8 teléfonos móviles conectados a la unidad. Seleccione el que desee utilizar.



- *Si toca [CONNECT], el dispositivo Bluetooth se conectará.*
- *Si toca [DELETE], el dispositivo Bluetooth se borrará. Si toca [ALL DELETE], se borrarán todos los dispositivos Bluetooth.*
- *Si hay conectado un dispositivo Bluetooth no registrado en la lista, busque el dispositivo Bluetooth tocando [SEARCH].*

Configuración de una conexión automática (AUTO CONNECT)

ON (configuración inicial) / OFF

El ajuste puede realizar o no la conexión si se reconoce automáticamente un teléfono móvil conectado previamente.

ON: El teléfono móvil previamente conectado se conectará automáticamente.

OFF: Seleccione un teléfono móvil utilizando [SEARCH DEVICE].

- *En función del teléfono móvil, es posible que sea necesario realizar ajustes. Consulte el manual de instrucciones del teléfono móvil.*

Envío de la información del nombre de la unidad (VISIBLE MODE)

ON (configuración inicial) / OFF

Este ajuste puede decidir si se envía o no la información del nombre de la unidad al dispositivo Bluetooth (teléfono móvil, etc.).

ON: Se envía la información del nombre de la unidad (TME-M740BT) al dispositivo Bluetooth.

OFF: No se envía la información del nombre de la unidad al dispositivo Bluetooth.

Recepción automática de una llamada (AUTO ANSWER)

ON / OFF (configuración inicial)

Este ajuste puede decidir si la llamada se contesta automáticamente o no al recibir una llamada.

ON: Al recibir una llamada, puede responder automáticamente transcurridos unos 5 segundos.

OFF: Al recibir una llamada, ésta no se recibe automáticamente. Para recibir la llamada, toque [📞].

Uso eficaz de una llamada rechazada (REFUSED CALL)

ON / OFF (configuración inicial)

Si no desea recibir llamadas mientras conduce, puede ajustar la unidad para no recibir llamadas en el modo manos libres.

ON: Al recibir una llamada, no aparece nada en la pantalla y no es posible recibir la llamada ni automáticamente ni con el modo manos libres.

OFF: Es posible recibir llamadas con el modo manos libres.

- *Si "REFUSED CALL" está ajustado en ON al recibir una llamada, se podrán seguir recibiendo llamadas del teléfono móvil.*

Configuración de la agenda de teléfonos activa (PHONEBOOK)

UNIT (configuración inicial) / CARD

Es posible decidir si se utilizará la tarjeta del teléfono móvil o la tarjeta SIM para descargar una agenda de teléfonos en la unidad.

UNIT: Se utiliza la agenda de teléfonos del teléfono móvil.

CARD: Se utiliza la agenda de teléfonos de la tarjeta SIM, etc.

Configuración del volumen de la llamada (MIC GAIN)

De MIN(1) a MAX(7) (configuración inicial: 5)

El volumen de las llamadas se puede ajustar en 7 niveles.

Configuración de selección trasera (REAR SELECT)

Función de selección del monitor trasero

AUX* (configuración inicial) / Bluetooth AUDIO / OFF

Si hay otro monitor (trasero) conectado a la unidad, es posible controlar la imagen y el audio del monitor trasero desde la unidad para poder disfrutar de audio y vídeo independiente en los asientos traseros.

- * *Se mostrará el nombre dado a la fuente en "Configuración del nombre de la entrada externa (AUX NAME)" (página 12). No es posible realizar el control desde el monitor trasero.*

Ajuste de la salida de la interrupción de guía de navegación (INT NAV. GUIDE)

ON / OFF (ajuste inicial)

Si se envía una señal de guía de navegación a la salida trasera (AUX OUT), es posible enviar la interrupción de la guía de navegación a dicha salida trasera.

ON: si se ajusta en cualquier opción que no sea OFF en "Configuración de REAR SELECT", la interrupción de la guía de navegación se enviará a la salida trasera (AUX OUT).

OFF: no es posible enviar la interrupción de la guía de navegación a la salida trasera (AUX OUT), independientemente del ajuste realizado en la "Configuración de REAR SELECT".

- *Si OFF está seleccionado en "Configuración de REAR SELECT", la interrupción de la guía de navegación no se enviará a la salida trasera (AUX OUT), incluso si INT NAV. GUIDE está ajustado en ON.*
- *Si una llamada con manos libres y una guía de navegación producen la interrupción al mismo tiempo, la llamada con manos libres tendrá prioridad.*

Información

En caso de dificultad

Si surge algún problema, apáguelo y vuelva a encenderlo. Si la unidad sigue sin funcionar correctamente, compruebe las cuestiones que aparecen en la lista siguiente. Esta guía le ayudará a aislar el problema si la unidad no funciona. Por lo demás, asegúrese de que el resto del sistema está correctamente conectado y, de ser así, consulte con el proveedor Alpine.

Cuestiones básicas

En la pantalla no aparece ningún elemento o función.

- El vehículo tiene el contacto apagado.
 - Aunque la unidad esté conectada según las instrucciones, no funcionará si el contacto del vehículo está apagado.
- Cables de alimentación mal ajustados.
 - Compruebe los cables de alimentación.
- Fusible fundido.
 - Compruebe el fusible que está en la tapa de las pilas de la unidad; sustitúyalo en caso necesario.

No se oye ningún sonido o el sonido no es natural.

- Las conexiones no están bien realizadas o están sueltas.
 - Compruebe las conexiones y apriételas.

La pantalla está oscura.

- El control de brillo está ajustado en la posición mínima.
 - Ajuste el control de brillo.
- La temperatura en el vehículo es demasiado baja.
 - Aumente la temperatura del interior del vehículo hasta situarla dentro de la gama de temperatura de funcionamiento.
- Las conexiones del DVD o del sistema de navegación no están bien sujetas.
 - Compruebe las conexiones y apriételas.

La imagen no es nítida o presenta ruido.

- La lámina fluorescente está gastada.
 - Sustituya la lámina fluorescente.

El sistema de navegación no funciona.

- El sistema de navegación no está correctamente conectado.
 - Compruebe las conexiones del sistema de navegación y conecte los cables de forma correcta y firme.

La imagen no es nítida.

- El tubo fluorescente está agotado.
 - Sustituya el tubo fluorescente*.

* La sustitución del tubo fluorescente no está cubierta por la garantía, ya que el tubo es un artículo de consumo.

La unidad no funciona.

- El monitor está apagado.
 - Encienda el monitor.

No aparece ninguna imagen.

- El monitor no se encuentra en el modo que usted desea ver.
 - Cambie al modo que desee.
- El monitor no está correctamente conectado al freno de mano.
 - Conecte el freno de mano al monitor y ponga el freno de mano. (Si desea más detalles, consulte las instrucciones del monitor.)

- El freno de mano del monitor no está conectado.
 - Conecte el freno de mano al monitor y ponga el freno de mano. (Si desea más detalles, consulte las instrucciones del monitor.)

La imagen no es nítida o presenta ruido.

- La batería del vehículo está algo descargada.
 - Compruebe la batería y las conexiones. (Es posible que la unidad no funcione correctamente si la alimentación de la batería es inferior a 11 voltios con una carga aplicada.)
- El tubo fluorescente del monitor está agotado.
 - Sustituya el tubo fluorescente del monitor.

Aparecen puntos o líneas/franjas de puntos.

- Las señales luminosas de neón, los cables de líneas de alta tensión, ciertos transmisores CB o componentes de otros vehículos pueden ser la causa.
 - Cambie la posición del vehículo.

La voz del teléfono manos libres no interrumpe el funcionamiento de la unidad principal.

- No se ha configurado correctamente el modo de interrupción.
 - Ajuste INT MUTE en ON (página 12).
 - Ajuste REFUSED CALL en OFF (página 13).
 - Ajuste REAR SELECT en Bluetooth AUDIO (página 13).
- No se ha configurado correctamente el modo de interrupción del funcionamiento de la unidad principal.
 - Ajuste INT MUTE en OFF (consulte el manual de instrucciones de la unidad principal).

Especificaciones

SECCIÓN DEL MONITOR

Tamaño de la pantalla	Tipo 6,95
Tipo de LCD	TN LCD de tipo transparente
Sistema operativo	Matriz activa TFT
Número de elementos de la imagen	1.152.000 pcs.
Número efectivo de elementos de la imagen	99,99% o más
Sistema de iluminación	Tubo fluorescente de cátodo frío

GENERAL

Requisito de alimentación	14,4 V CC (11 – 16 V permisible)
Peso	(Sección del monitor) 283 g

TAMAÑO DE LA CAJA (sección del monitor)

Anchura	178 mm
Altura	100 mm
Profundidad	36 mm

- Debido a la mejora continua del producto, las especificaciones y el diseño están sujetos a cambio sin previo aviso.
- El panel LCD se fabrica utilizando una tecnología de fabricación de una precisión extremadamente alta. Su ratio de píxel efectivo es superior al 99,99%. Ello significa que existe una posibilidad de que el 0,01% de los píxeles estén siempre encendidos o apagados.

Ubicación y conexiones

Antes de instalar o conectar la unidad, lea atentamente lo siguiente y de las páginas 2 a 3 de este manual para emplearla adecuadamente.

Advertencia

REALICE LAS CONEXIONES CORRECTAMENTE.

Una conexión incorrecta puede producir un incendio o dañar el equipo.

UTILICE LA UNIDAD SOLAMENTE EN VEHÍCULOS QUE TENGAN 12 VOLTIOS CON NEGATIVO A MASA.

(Consulte a su distribuidor en caso de duda.) De no ser así, podría ocasionar un incendio, etc.

ANTES DE EFECTUAR EL CABLEADO, DESCONECTE EL CABLE DEL TERMINAL NEGATIVO DE LA BATERÍA.

De no hacerlo así, podría ocasionar una descarga eléctrica o heridas debido a cortocircuitos eléctricos.

IMPIDA QUE LOS CABLES SE ENREDEN CON LOS OBJETOS SITUADOS ALREDEDOR.

Disponga la instalación eléctrica y los cables conforme a lo descrito en el manual para evitar obstáculos durante la conducción. Los cables que obstaculizan la conducción o que cuelgan de partes del vehículo como el volante de dirección, la palanca de cambios, los pedales de freno, etc., se consideran extremadamente peligrosos.

NO EMPALME CABLES ELÉCTRICOS.

Nunca corte el aislamiento de un cable para suministrar energía a otro equipo. Esto hace que la capacidad portadora del cable se supere y puede ser la causa de incendios o descargas eléctricas.

EVITE DAÑAR LOS TUBOS Y EL CABLEADO CUANDO TALADRE AGUJEROS.

Si taladra agujeros en el chasis durante la instalación, tome las precauciones necesarias para no rozar, dañar u obstruir los tubos, las tuberías de combustible, los depósitos o el cableado eléctrico. De lo contrario, podría provocar un incendio.

NO UTILICE TUERCAS O PERNOS EN EL SISTEMA DE FRENOS O DE DIRECCIÓN PARA REALIZAR LAS CONEXIONES A MASA.

Los pernos o tuercas empleados en los sistemas de freno o de dirección (o en cualquier otro sistema relacionado con la seguridad del vehículo), o los depósitos, NUNCA deben utilizarse para instalaciones de cableado o conexión a masa. Si utiliza tales partes podrá incapacitar el control del vehículo y provocar un incendio, etc.

MANTENGA LOS OBJETOS PEQUEÑOS, COMO LAS PILAS, FUERA DEL ALCANCE DE LOS NIÑOS.

La ingestión de estos objetos puede provocar lesiones graves. Si esto ocurre, consulte con un médico inmediatamente.

NO INSTALE EL EQUIPO EN LUGARES QUE PUEDAN INTERFERIR CON LA OPERACIÓN DEL VEHÍCULO, COMO EL VOLANTE DE DIRECCIÓN O LA CAJA DE CAMBIOS DE VELOCIDAD.

Esto podría obstaculizar la visibilidad y dificultar el movimiento, etc. y provocar accidentes graves.

Prudencia

CONFÍE EL CABLEADO Y LA INSTALACIÓN A PROFESIONALES.

El cableado y la instalación de este equipo requieren una competencia y experiencia técnica confirmada. Para garantizar la seguridad, póngase siempre en contacto con el distribuidor al que ha comprado el equipo para confiarle estas tareas.

UTILICE LOS ACCESORIOS ESPECIFICADOS E INSTÁLELOS CORRECTAMENTE.

Asegúrese de utilizar los accesorios especificados solamente. La utilización de otras piezas no designadas puede ser la causa de daños en el interior de la unidad o de una instalación incorrecta. Las piezas pueden aflojarse, lo que, además de ser peligroso, puede provocar averías.

DISPONGA EL CABLEADO DE FORMA QUE LOS CABLES NO SE DOBLEN, NO SE CONTRAIGAN NI ROCEN UN BORDE METÁLICO AFILADO.

Aleje los cables y el cableado de piezas móviles (como los raíles de los asientos) o de bordes puntiagudos o afilados. De esta forma evitará dobleces y daños en el cableado. Si los cables se introducen por un orificio de metal, utilice una arandela de goma para evitar que el borde metálico del orificio corte el aislamiento del cable.

NO INSTALE LA UNIDAD EN LUGARES MUY HÚMEDOS O LLENOS DE POLVO.

Evite instalar la unidad en lugares con altos índices de humedad o polvo. Si entra polvo o humedad, el equipo puede averiarse.

Precauciones

- Asegúrese de desconectar el cable del borne negativo (-) de la batería antes de instalar el TME-M740BT. Esto reducirá cualquier posibilidad de dañar la unidad en caso de un cortocircuito.
- Asegúrese de conectar los cables codificados con colores de acuerdo con el diagrama. Las conexiones incorrectas podrán ocasionar un malfuncionamiento de la unidad o dañar el sistema eléctrico del vehículo.
- Cuando haga las conexiones al sistema eléctrico del vehículo, tenga en cuenta los componentes instalados en fábrica (p.ej., el ordenador de a bordo). No coja corriente de estos conductores para alimentar esta unidad. Cuando conecte el TME-M740BT a la caja de fusibles, asegúrese de que el fusible del circuito que piensa utilizar para el TME-M740BT tiene el amperaje adecuado. En caso contrario podrá ocasionar daños a la unidad y/o al vehículo. Cuando no esté seguro, consulte a su distribuidor Alpine.
- El TME-M740BT utiliza tomas tipo RCA hembras para la conexión a otras unidades (p.ej., amplificador) dotadas de conectores RCA. Es posible que necesite un adaptador para conectar otras unidades. En ese caso, póngase en contacto con su distribuidor Alpine autorizado para que le aconseje.
- El display deberá estar completamente cerrado en el alojamiento al realizar la instalación. En caso contrario, podrán surgir problemas.

IMPORTANTE

Anote el número de serie de la unidad en el espacio proporcionado a continuación y consérvelo como registro permanente. La placa del número de serie se encuentra en la base de la unidad.

NÚMERO DE SERIE: _____

FECHA DE INSTALACIÓN: _____

INSTALADOR: _____

LUGAR DE ADQUISICIÓN: _____

Instalación

Lista de accesorios

Monitor.....	1
Cable de pantalla (2,5 m)/Cable de alimentación	1
Fijador de cables	3
Pie del monitor.....	1
Tornillo de fijación (M4x12)	3
Paño	1
Soporte central	1
Soporte lateral (I/D)	2
Tornillo (M5x8)	8
Manual de operación	1

Conexión del monitor y el pie

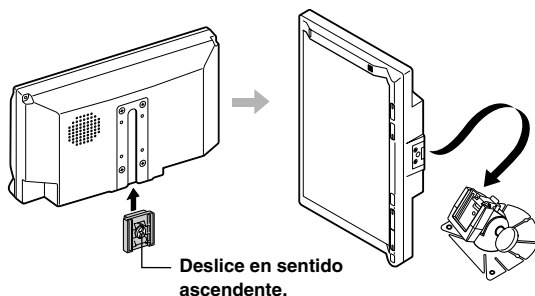
⚠ PRUDENCIA

No instale el monitor en las proximidades del sistema de airbag del asiento del pasajero delantero.

1 Extraiga los fijadores de las conexiones de la unidad principal.

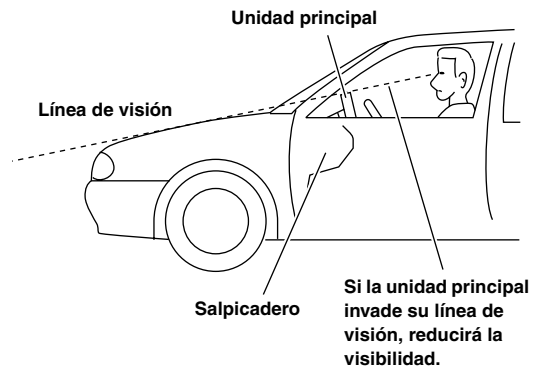
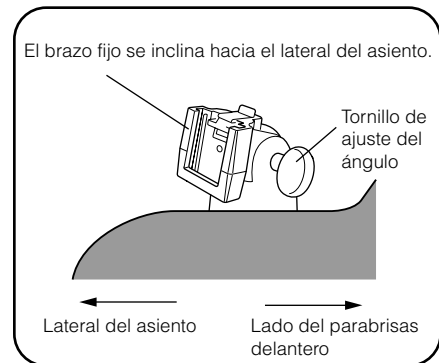


2 Afloje la fijación de la unidad principal con ayuda de una moneda. Deslícela en la ranura posterior de la unidad principal y apriétela de momento. Fíjela al pie.



3 Compruebe la posición de fijación.

- ① Fije temporalmente el pie con cinta adhesiva.
- ② Afloje los tornillos de fijación y ajuste el monitor en una posición segura desde donde pueda verlo.



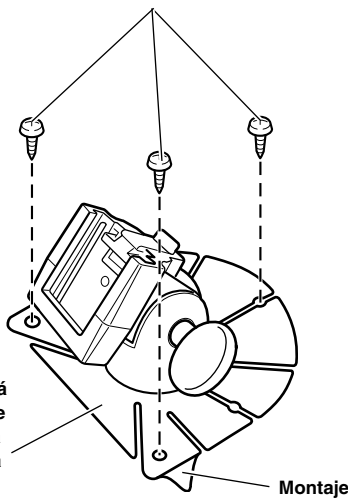
Para utilizar la unidad con seguridad, colóquela en los lugares siguientes.

- Lugares estables y seguros.
- Lugares en los que la unidad principal no interfiera con la visibilidad durante la conducción.
- Lugares en los que no pueda golpearla al mover el cuerpo con el cinturón de seguridad.
- Lugares en los que la unidad no pueda golpearse con el volante durante la conducción.
- Tenga en cuenta que si la superficie del salpicadero es de cuero, un panel de madera, tapicería o de cualquier otro producto no basado en resinas, la superficie se dañará al retirar el pie.
- No coloque la unidad principal directamente delante de las salidas del climatizador.

4 Extraiga la unidad principal del pie.

- 5** Extraiga el montaje del pie y péguelo en el salpicadero. Quite la posible suciedad existente en la ubicación de instalación con ayuda del paño suministrado.

Tornillos de fijación
(M4 x 12; se suministran)



Se el lugar de instalación está curvado, peque esta parte para que se ajuste a la forma.

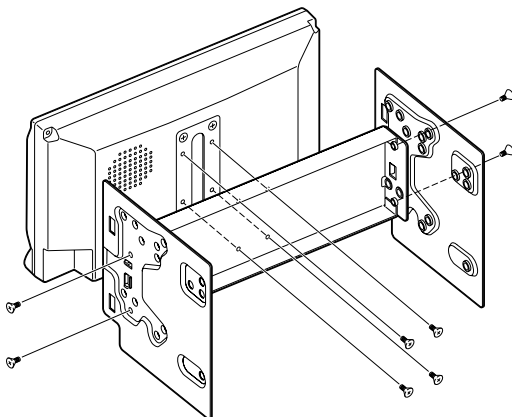
- Si la temperatura del vehículo es baja (en invierno), primero caliente el lugar en el que vaya a pegar el montaje con un secador, etc.
- No aplique ninguna fuerza al montaje ni lo exponga a humedad en las 24 horas posteriores a su colocación.
- Si no consigue pegar el montaje con firmeza, recomendamos la utilización de los tornillos de fijación que se suministran.

- 6** Fije la unidad principal al pie tal como se indica en el paso 2.
Utilice los fijadores de cables para fijar los cables.

- Antes de utilizar la unidad, verifique que ésta y el pie están fijados correctamente entre sí y también a la ubicación elegida en el vehículo.

Montaje del monitor en el interior del salpicadero con ayuda de un soporte

- 1** Monte el soporte con ayuda de los tornillos suministrados (M5 x 8).
- 2** Monte el soporte del monitor con ayuda de los tornillos suministrados (M5 x 8).



- 3** Monte el monitor con el soporte fijado en el vehículo.

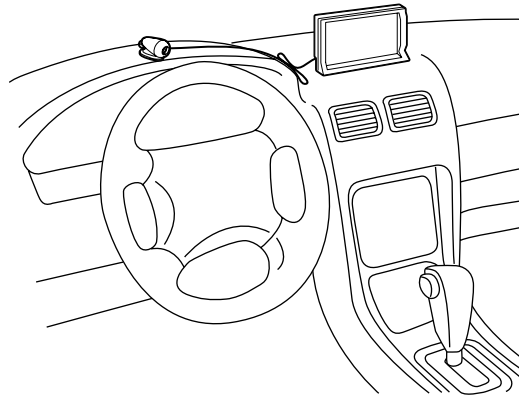
Montaje de un micrófono externo para llamadas con manos libres

Por motivos de seguridad, debe montar el micrófono en las siguientes ubicaciones.

- En un lugar estable y seguro.
- En un lugar donde no interfiera con las acciones del conductor.
- Monte el micrófono externo utilizado con el teléfono manos libres en un lugar desde el que se pueda recoger correctamente la voz del conductor. Monte el micrófono teniendo en cuenta la dirección y la distancia del conductor para que la voz se pueda recoger fácilmente sin necesidad de que el conductor se mueva, para evitar así posibles distracciones.
- Si se conecta un micrófono externo, no es posible utilizar el micrófono interno.

- 1** Retire el protector de la base del micrófono externo y péguelo en el salpicadero.

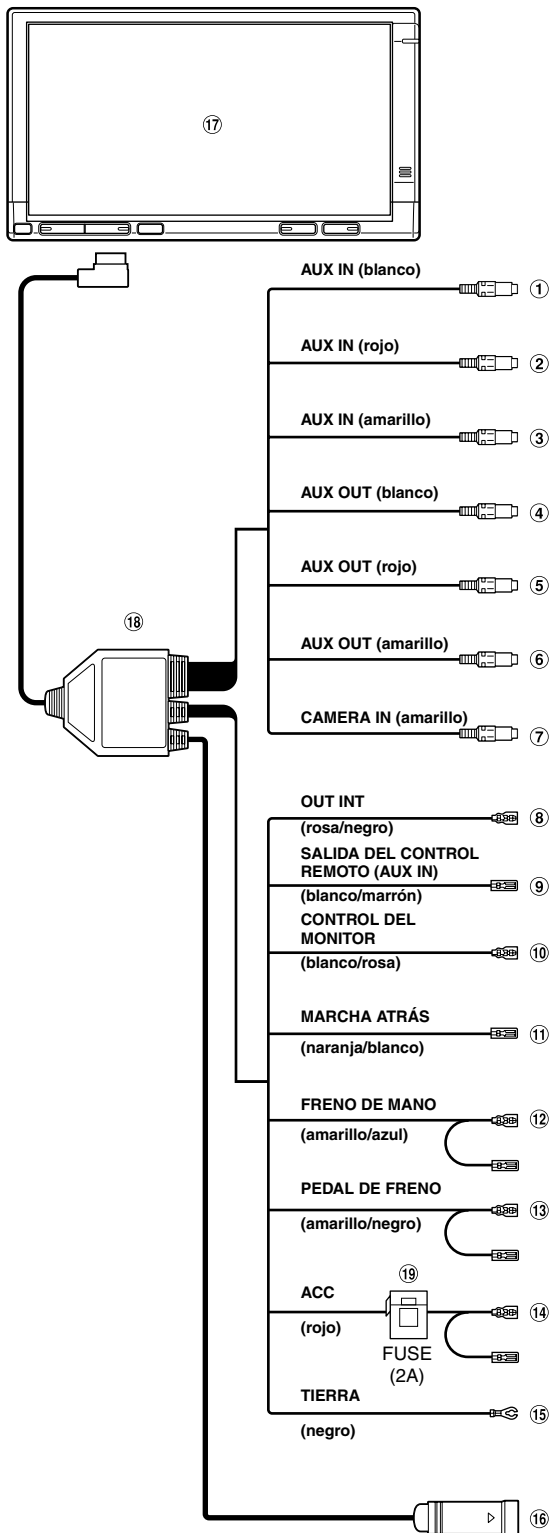
Con ayuda del limpiador suministrado, limpie la zona de montaje cuidadosamente y pegue el micrófono en su sitio.



Para evitar ruidos externos en el sistema de audio.

- Ubique la unidad y guíe los cables a una distancia mínima de 10 cm del arnés del coche.
- Mantenga los cables de alimentación de la batería lo más lejos posible de los demás cables.
- Conecte el cable de tierra de forma segura a un punto metálico limpio (elimine posibles restos de pintura, suciedad o grasa si es necesario) del bastidor del coche.
- Si añade un supresor de ruido opcional, conéctelo lo más lejos posible de la unidad. Su proveedor Alpine ofrece distintos supresores de ruido; póngase en contacto con él para obtener más información.
- Su proveedor Alpine conoce mejor las medidas de prevención de ruido; consúltelo para obtener más información.

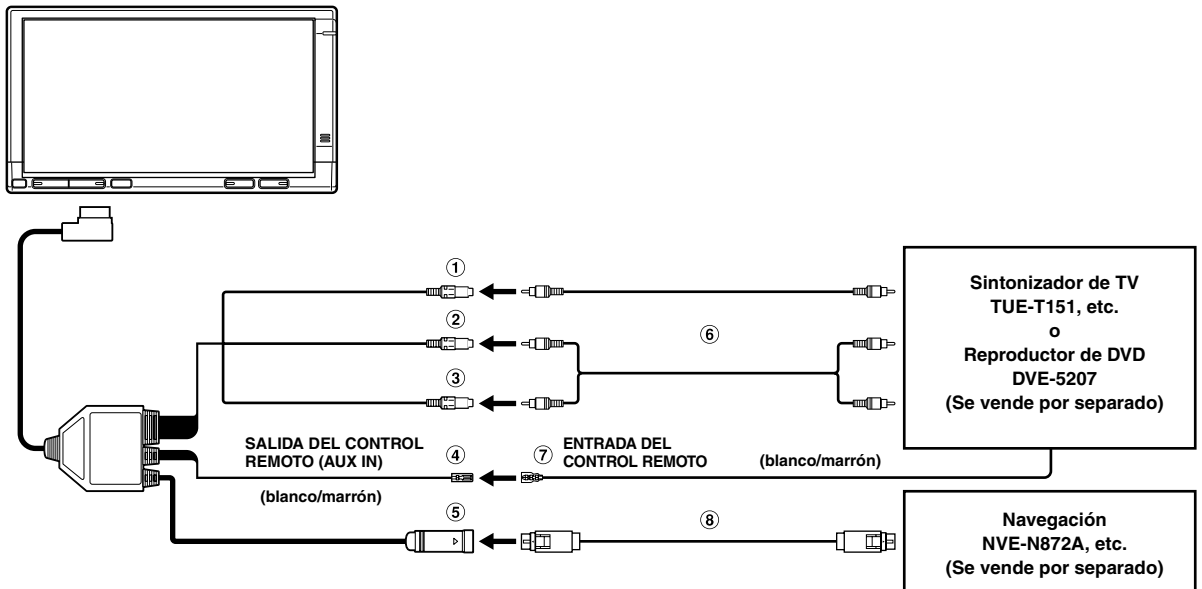
Conexiones



- ① **Conector de entrada de audio (AUX IN) (blanco)**
Entrada izquierda del audio.
- ② **Conector de entrada de audio (AUX IN) (rojo)**
Entrada derecha del audio.
- ③ **Conector de entrada de vídeo (AUX IN) (amarillo)**
Obtiene la entrada de vídeo.
- ④ **Conector de salida de audio (AUX OUT) (blanco)**
Salida izquierda del audio.
- ⑤ **Conector de salida de audio (AUX OUT) (rojo)**
Salida derecha del audio.
- ⑥ **Conector de salida de vídeo (AUX OUT) (amarillo)**
Genera la salida de vídeo.
- ⑦ **Conector de entrada de cámara (amarillo)**
Utilícelo cuando conecte una cámara de repuesto.
- ⑧ **Cable de salida del interruptor de audio (rosa/negro)**
- ⑨ **Cable de salida del control remoto (AUX IN) (blanco/marrón)**
Conecte este cable al cable de entrada del control remoto. Este cable permite la salida de señales de control del control remoto.
- ⑩ **Cable de control del monitor (blanco/rosa)**
Conecte este cable al cable de control del monitor de un panel táctil compatible.
- ⑪ **Cable de la marcha atrás (naranja/blanco)**
Se utiliza únicamente cuando está conectada la cámara trasera. Conéctelo al polo positivo de la luz de marcha atrás del coche, que se enciende cuando la transmisión cambia a marcha atrás (R). La imagen de vídeo cambia a la cámara trasera. Está relacionado con situar el coche en marcha atrás (R).
- ⑫ **Cable del freno de mano (amarillo/azul)**
Conecte este cable al extremo de alimentación del interruptor del freno de mano para transmitir las señales de estado del freno de mano al TME-M740BT.
- ⑬ **Cable del pedal de freno (amarillo/negro)**
Conecte este cable al cable del pedal de freno o al cable de la luz de freno.
- ⑭ **Cable de potencia conmutada (Contacto) (rojo)**
Conecte este cable a un terminal abierto de la caja de fusibles del vehículo o a otra fuente de alimentación no utilizada que genere una potencia de (+) 12 V sólo cuando el contacto esté encendido o en posición auxiliar.
- ⑮ **Cable de tierra (negro)**
Conecte este cable a una buena toma de tierra del vehículo. Asegúrese de realizar la conexión sólo en el metal y de que quede perfectamente sujeto utilizando el tornillo de chapa de metal incorporado.
- ⑯ **Conector de entrada RGB**
Conéctelo al terminal de salida RGB del sistema de navegación o del sistema Vehiclehub Pro.
- ⑰ **Monitor principal**
- ⑱ **Cable de pantalla / cable de alimentación**
- ⑲ **Portafusible (2 A)**

Ejemplo de sistema

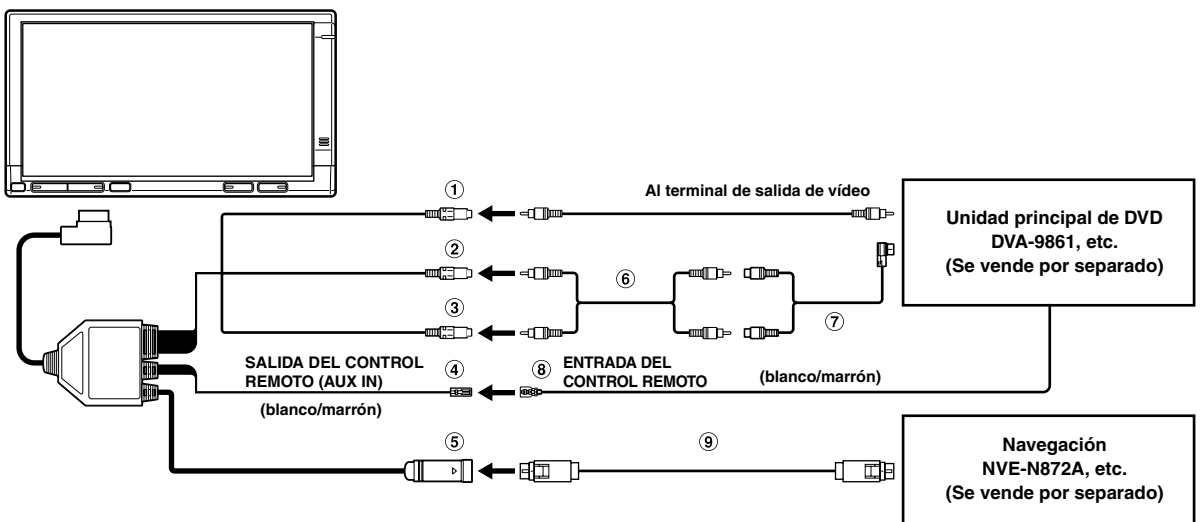
Conexión del sistema de navegación, sintonizador de TV o reproductor de DVD



- ① Conector de entrada de vídeo (AUX IN) (amarillo)
- ② Conector de entrada de audio (AUX IN) (rojo)
- ③ Conector de entrada de audio (AUX IN) (blanco)
- ④ Cable de salida del control remoto (AUX IN) (blanco/marrón)
- ⑤ Conector de entrada RGB
- ⑥ Prolongador eléctrico RCA (vendido por separado)
- ⑦ Cable de entrada del control remoto (blanco/marrón)
- ⑧ Cable RGB (navegación incluida)

Conecte este cable al cable de entrada del control remoto. Este cable permite la salida de señales de control del control remoto.

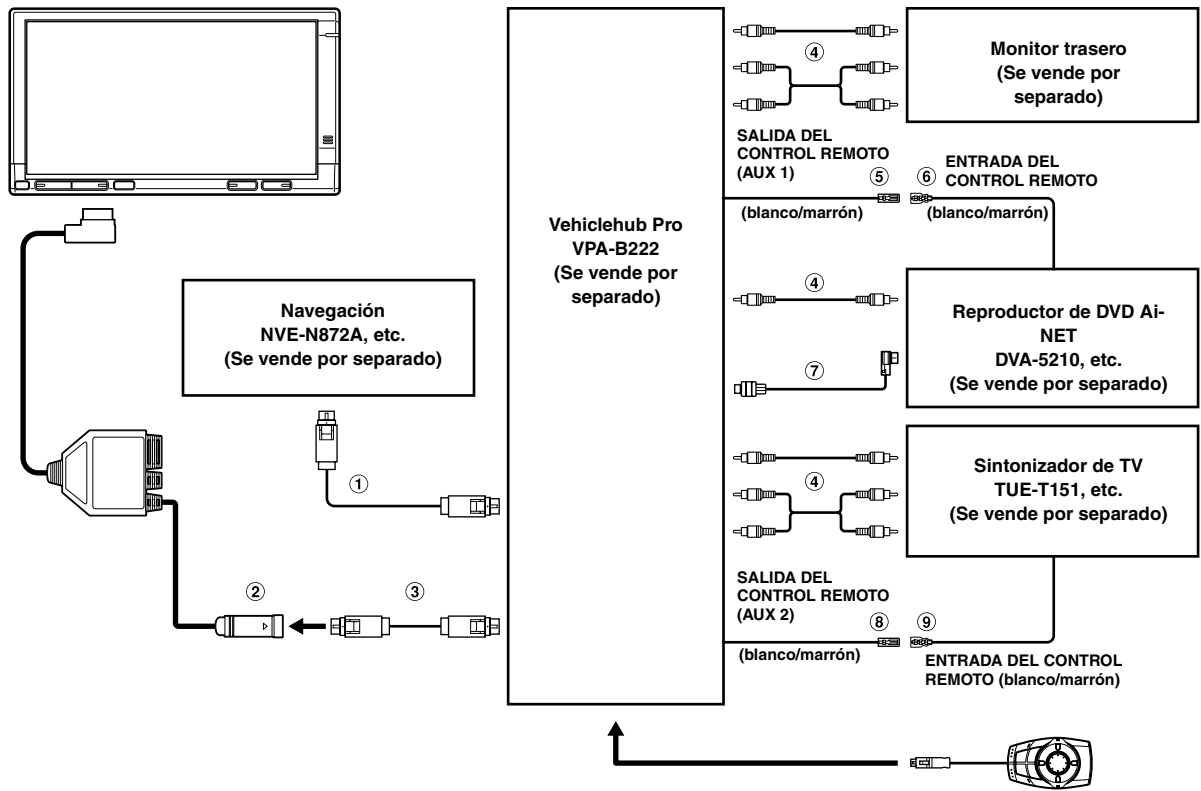
Conexión del sistema de navegación y la unidad principal de DVD



- ① Conector de entrada de vídeo (AUX IN) (amarillo)
- ② Conector de salida de audio (AUX OUT) (rojo)
- ③ Conector de salida de audio (AUX OUT) (blanco)
- ④ Cable de salida del control remoto (AUX IN) (blanco/marrón)
- ⑤ Conector de entrada RGB
- ⑥ Prolongador eléctrico RCA (vendido por separado)
- ⑦ Conector Ai-RCA KCA-121B (Se vende por separado)
- ⑧ Cable de entrada del control remoto (blanco/marrón)
- ⑨ Cable RGB (navegación incluida)

Conecte este cable al cable de entrada del control remoto. Este cable permite la salida de señales de control del control remoto.

Conexión del sistema Vehiclehub Pro, sistema de navegación, sintonizador de TV y reproductor de DVD



- ① **Cable RGB (navegación incluida)**
- ② **Conector de entrada RGB**
- ③ **Cable RGB (Se vende por separado)**
- ④ **Prolongador eléctrico RCA (se vende por separado)**
- ⑤ **Cable de salida del control remoto (AUX 1) (blanco/marrón)**
Conecte este cable al cable de entrada del control remoto. Este cable permite la salida de señales de control del control remoto.
- ⑥ **Cable de entrada del control remoto (blanco/marrón)**
- ⑦ **Cable Ai-NET (incluido con la unidad principal de DVD)**
- ⑧ **Cable de salida del control remoto (AUX 2) (blanco/marrón)**
Conecte este cable al cable de entrada del control remoto. Este cable permite la salida de señales de control del control remoto.
- ⑨ **Cable de entrada del control remoto (blanco/marrón)**



GARANTIE LIMITÉE

Fidèles à leur engagement de ne fournir que des produits de qualité, ALPINE ÉLECTRONIQUE DE L'AMÉRIQUE, INC. et ALPINE ÉLECTRONIQUE DU CANADA, INC. (Alpine) sont heureuses de vous offrir cette garantie. Nous vous suggérons de le lire attentivement et en entier. Si vous avez la moindre question, veuillez contacter l'un de nos concessionnaires ou appeler directement Alpine aux numéros listés ci-dessous.

● PRODUITS COUVERTS PAR LA GARANTIE

Cette garantie couvre les produits audio de voiture et les accessoires connexes ("le produit"). Elle ne couvre les produits que dans le pays où ils ont été achetés.

● DURÉE DE LA GARANTIE

Cette garantie est en vigueur pendant un an à partir de la date du premier achat du client.

● PERSONNES PROTÉGÉES PAR LA GARANTIE

Seul l'acheteur original du produit, s'il réside aux États-Unis, à Porto Rico ou au Canada, peut se prévaloir de la garantie.

● CE QUI EST COUVERT

Cette garantie couvre tous les défauts de matériaux et de fabrication (pièces et main d'œuvre) du produit.

● CE QUI N'EST PAS COUVERT

Cette garantie ne couvre pas ce qui suit:

- ① Les dommages survenus durant le transport des produits renvoyés à Alpine pour être réparés (les réclamations doivent être adressées au transporteur);
- ② Les dégâts provoqués par un accident ou une mauvaise utilisation, y compris des bobines acoustiques grillées suite à une surexcitation des enceintes (augmentation du niveau de l'amplificateur jusqu'à atteindre un effet de distorsion ou d'écrêtage), une défaillance mécanique des enceintes (perforations, déchirures ou fentes), panneaux LCD fissurés ou endommagés, disques durs endommagés ou ayant subi une chute.
- ③ Tout dégât provoqué par négligence, usage inapproprié, mauvaise utilisation ou par le non-respect des instructions indiquées dans le manuel de l'utilisateur.
- ④ Les dommages dus à la force majeure, notamment aux tremblements de terre, au feu, aux inondations, aux tempêtes ou aux autres cataclysmes naturels; Les frais ou les dépenses relatifs à l'enlèvement ou à la réinstallation du produit;
- ⑤ Les services rendus par une personne, physique ou morale non autorisée;
- ⑥ Les produits dont le numéro de série a été effacé, modifié ou retiré;
- ⑦ Les produits qui ont été adaptés ou modifiés sans le consentement d'Alpine;
- ⑧ Les produits qui ne sont pas distribués par Alpine aux États-Unis, à Porto Rico ou au Canada;
- ⑨ Les produits qui n'ont pas été achetés par l'entremise d'un concessionnaire Alpine autorisé;

● COMMENT SE PRÉVALOIR DE LA GARANTIE

- ① Il vous faut remettre le produit nécessitant des réparations à un centre de service autorisé Alpine ou à Alpine même et en assumer les frais de transport. Alpine a le choix entre réparer le produit ou le remplacer par un produit neuf ou révisé, le tout sans frais pour vous. Si les réparations sont couvertes par la garantie et si le produit a été envoyé à un centre de service Alpine ou à Alpine, le paiement des frais de réexpédition du produit incombe Alpine.

- ② Vous devez donner une description détaillée des problèmes qui sont à l'origine de votre demande de réparation.
- ③ Vous devez joindre la preuve de votre achat du produit.
- ④ Vous devez emballer soigneusement le produit pour éviter tout dommage durant son transport. Pour éviter la perte de l'envoi, il est conseillé de choisir un transporteur qui propose un service de suivi des envois.

● LIMITATION DES GARANTIES TACITES

LA DURÉE DE TOUTES LES GARANTIES TACITES, Y COMPRIS LA GARANTIE D'ADAPTATION À L'UTILISATION ET LA GARANTIE DE QUALITÉ LOYALE ET MARCHANDE, EST LIMITÉE À CELLE DE LA GARANTIE EXPRESSE DÉTERMINÉE CI-DESSUS. PERSONNE N'EST AUTORISÉ À ENGAGER AUTREMENT LA RESPONSABILITÉ D'ALPINE EN VERTU DE LA VENTE D'UN PRODUIT.

● EXCLUSIONS DE LA GARANTIE

ALPINE STIPULE EXPRESSÉMENT QU'ELLE N'EST PAS RESPONSABLE DES DOMMAGES-INTÉRÊTS ET DOMMAGES INDIRECTS PROVOQUÉS PAR LE PRODUIT. LES DOMMAGES-INTÉRÊTS SONT LES FRAIS DE TRANSPORT DU PRODUIT VERS UN CENTRE DE SERVICE ALPINE, LA PERTE DE TEMPS DE L'ACHETEUR ORIGINAL, LA PERTE D'UTILISATION DU PRODUIT, LES BILLETS D'AUTOBUS, LA LOCATION DE VOITURES ET TOUS LES AUTRES FRAIS LIÉS À LA GARDE DU PRODUIT. LES DOMMAGES INDIRECTS SONT LES FRAIS DE RÉPARATION OU DE REMPLACEMENT D'AUTRES BIENS ENDOMMAGÉS SUITE AU MAUVAIS FONCTIONNEMENT DU PRODUIT.

LES RECOURS PRÉVUS PAR LES PRÉSENTES EXCLUENT ET REMPLACENT TOUTE AUTRE FORME DE RECOURS.

● LIEN ENTRE LA GARANTIE ET LA LOI

La garantie vous donne des droits spécifiques, mais vous pouvez aussi jouir d'autres droits, qui varient d'un état ou d'une province à l'autre. En outre, certains états et certaines provinces interdisent de limiter la durée des garanties tacites ou d'exclure les dommages accessoires ou indirects. Dans ce cas, les limites et les exclusions de la garantie peuvent ne pas s'appliquer à vous.

● CLAUSE APPLICABLE AU CANADA SEULEMENT

Pour que la garantie soit valable, il faut qu'un centre d'installation autorisé ait installé le système audio pour l'auto dans votre véhicule et qu'il ait ensuite apposé son cachet sur la garantie.

● NUMÉROS D'APPEL DU SERVICE À LA CLIENTÈLE

Si vous avez besoin de nos services, veuillez appeler Alpine aux numéros ci-dessous pour le centre de service autorisé Alpine le plus proche.

AUDIO DE VOITURE	1-800-ALPINE-1 (1-800-257-4631)
NAVIGATION	1-888-NAV-HELP (1-888-628-4357)

Ou visitez notre site Web à l'adresse <http://www.alpine-usa.com>

ALPINE ÉLECTRONIQUE DE L'AMÉRIQUE, INC., 19145 Gramercy Place, Torrance, California 90501, U.S.A.

ALPINE ÉLECTRONIQUE DU CANADA, INC., 777 Supertest Road, Toronto, Ontario M3J 2M9, Canada

N'envoyez aucun produit à ces adresses.

Appelez notre numéro gratuit ou visitez notre site Web si vous recherchez un centre de service.



LIMITED WARRANTY

ALPINE ELECTRONICS OF AMERICA, INC. AND ALPINE OF CANADA INC. ("Alpine"), are dedicated to quality craftsmanship and are pleased to offer this Warranty. We suggest that you read it thoroughly. Should you have any questions, please contact your Dealer or contact Alpine at one of the telephone numbers listed below.

● PRODUCTS COVERED:

This Warranty covers Car Audio Products and Related Accessories ("the product"). Products purchased in the Canada are covered only in the Canada. Products purchased in the U.S.A. are covered only in the U.S.A.

● LENGTH OF WARRANTY:

This Warranty is in effect for one year from the date of the first consumer purchase.

● WHO IS COVERED:

This Warranty only covers the original purchaser of the product, who must reside in the United States, Puerto Rico or Canada.

● WHAT IS COVERED:

This Warranty covers defects in materials or workmanship (parts and labor) in the product.

● WHAT IS NOT COVERED:

This Warranty does not cover the following:

- ① Damage occurring during shipment of the product to Alpine for repair (claims must be presented to the carrier).
- ② Damage caused by accident or abuse, including burned voice coils caused by over-driving the speaker (amplifier level is turned up and driven into distortion or clipping). Speaker mechanical failure (e.g. punctures, tears or rips). Cracked or damaged LCD panels. Dropped or damaged hard drives.
- ③ Damage caused by negligence, misuse, improper operation or failure to follow instructions contained in the Owner's manual.
- ④ Damage caused by act of God, including without limitation, earthquake, fire, flood, storms or other acts of nature. Any cost or expense related to the removal or reinstallation of the product.
- ⑤ Service performed by an unauthorized person, company or association.
- ⑥ Any product which has the serial number defaced, altered or removed.
- ⑦ Any product which has been adjusted, altered or modified without Alpine's consent.
- ⑧ Any product not distributed by Alpine within the United States, Puerto Rico or Canada.
- ⑨ Any product not purchased from an Authorized Alpine Dealer.

● HOW TO OBTAIN WARRANTY SERVICE:

- ① You are responsible for delivery of the product to an Authorized Alpine Service Center or Alpine for repair and for payment of any initial shipping charges. Alpine will, at its option, repair or replace the product with a new or reconditioned product without charge. If the repairs are covered by the warranty, and if the product was shipped to an Authorized Alpine Service Center or Alpine, Alpine will pay the return shipping charges.
- ② You should provide a detailed description of the problem(s) for which service is required.

- ③ You must supply proof of your purchase of the product.
- ④ You must package the product securely to avoid damage during shipment. To prevent lost packages it is recommended to use a carrier that provides a tracking service.

● HOW WE LIMIT IMPLIED WARRANTIES:

ANY IMPLIED WARRANTIES INCLUDING FITNESS FOR USE AND MERCHANTABILITY ARE LIMITED IN DURATION TO THE PERIOD OF THE EXPRESS WARRANTY SET FORTH ABOVE AND NO PERSON IS AUTHORIZED TO ASSUME FOR ALPINE ANY OTHER LIABILITY IN CONNECTION WITH THE SALE OF THE PRODUCT.

● HOW WE EXCLUDE CERTAIN DAMAGES:

ALPINE EXPRESSLY DISCLAIMS LIABILITY FOR INCIDENTAL AND CONSEQUENTIAL DAMAGES CAUSED BY THE PRODUCT. THE TERM "INCIDENTAL DAMAGES" REFERS TO EXPENSES OF TRANSPORTING THE PRODUCT TO THE ALPINE SERVICE CENTER, LOSS OF THE ORIGINAL PURCHASER'S TIME, LOSS OF THE USE OF THE PRODUCT, BUS FARES, CAR RENTALS OR OTHER COSTS RELATING TO THE CARE AND CUSTODY OF THE PRODUCT. THE TERM "CONSEQUENTIAL DAMAGES" REFERS TO THE COST OF REPAIRING OR REPLACING OTHER PROPERTY WHICH IS DAMAGED WHEN THIS PRODUCT DOES NOT WORK PROPERLY. THE REMEDIES PROVIDED UNDER THIS WARRANTY ARE EXCLUSIVE AND IN LIEU OF ALL OTHERS.

● HOW STATE/PROVINCIAL LAW RELATES TO THE WARRANTY:

This Warranty gives you specific legal rights, and you may also have other rights which vary from state to state and province to province. In addition, some states/provinces do not allow limitations on how long an implied warranty lasts, and some do not allow the exclusion or limitation of incidental or consequential damages. Accordingly, limitations as to these matters contained herein may not apply to you.

● IN CANADA ONLY:

This Warranty is not valid unless your Alpine car audio product has been installed in your vehicle by an Authorized Installation Center, and this warranty stamped upon installation by the installation center.

● HOW TO CONTACT CUSTOMER SERVICE:

Should the product require service, please call the following number for your nearest Authorized Alpine Service Center.

CAR AUDIO	1-800-ALPINE-1 (1-800-257-4631)
NAVIGATION	1-888-NAV-HELP (1-888-628-4357)

Or visit our website at; <http://www.alpine-usa.com>

ALPINE ELECTRONICS OF AMERICA, INC., 19145 Gramercy Place, Torrance, California 90501, U.S.A.

ALPINE ELECTRONICS OF CANADA, INC., 777 Supertest Road, Toronto, Ontario M3J 2M9, Canada

Do not send products to these addresses.

Call the toll free telephone number or visit the website to locate a service center.